

SHENZHEN LANSON ELECTRONICS CO., LTD.	PRODUCT	EDITION NO.	A/4
	SPECIFICATION	FILE NO.	LS/C-005-35
	MODEL: 06H	PAGE	PAGE 1 OF 4

1. 适用范围 Scope of Application

本产品适用于各种电子电路中起过电流保护作用。

This product is suitable for various kinds of electronic machines to work for over current protection.

2. 相关标准及认证 Relevant Standards and Certification

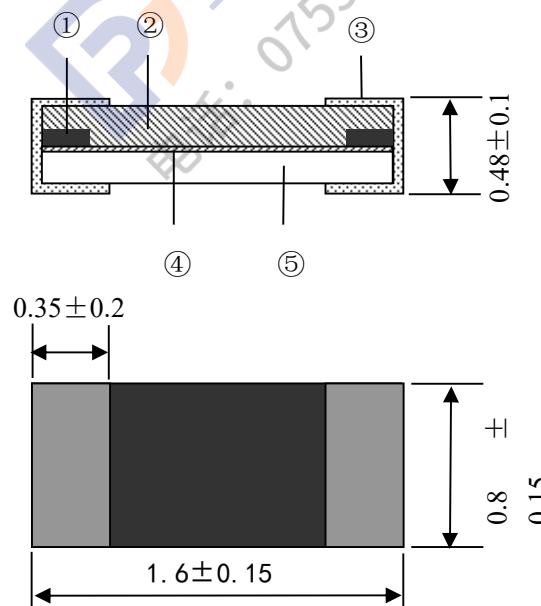
2.1 执行标准 Standard: UL248-1、UL248-14

2.2 认证 Certification

认证 Certification	认证范围 Scope of Certification	证书编号 Certification No.
UL	1A~5A	E221465

3. 结构尺寸及原材料明细 Structure Size and Material Detail

3.1 结构尺寸 Structure Size (unit: mm)



3.2 原材料明细 Material Detail

编号 No.	零件名称 Part Name	材质 Material
①	电极 Electrode	银 Silver
②	涂层 Coating	玻璃浆 Glass cover
③	端头 End Termination	镀银 Silver plated
④	熔丝 Fuse element	银 Silver
⑤	基片 Substrate	陶瓷 Ceramic

4. 标示 Mark

4.1 保险丝上需有下列标示:

The fuse shall have the following marking:

SHENZHEN LANSON ELECTRONICS CO., LTD.	PRODUCT	EDITION NO.	A/4
	SPECIFICATION	FILE NO.	LS/C-005-35
	MODEL: 06H	PAGE	PAGE 2 OF 4

额定电流 Ampere Rating	产品标示 Marking
1A	H
1.5A	K
2A	N
2.5A	O
3A	P
4A	S
5A	T

5. 电气特性 Electrical Characteristics

5.1 实验条件: 所有测试环境温度为 $25\pm 5^{\circ}\text{C}$ 。

Test Condition: All electrical characteristics tests are conducted at an ambient temperature of $25\pm 5^{\circ}\text{C}$.

5.2 时间-电流特性 Time-Current Characteristics

额定电流的% % of Ampere Rating	熔断时间 Opening Time
100%	4 hours Min(大于 4 小时)
200%	1 S~60 S
250%	5 S Max(小于 5 秒)

5.3 额定分断能力:

Interrupting Rating:

50 Amperes at 32V DC

6. 环境特性 Environmental Characteristics

6.1 使用温度范围 Operating Temperature

$-40^{\circ}\text{C}\sim 125^{\circ}\text{C}$ 。

6.2 保存条件 Storage Conditions

相对湿度 $\leq 75\%$, 可以存放 3 年。

Relative humidity $\leq 75\%$, store 3 years.

7. 可靠性试验 Reliability Test

7.1 冷热冲击试验 Thermal Shock Test

MIL-STD-202G, Method 107G。

7.2 防潮湿试验 Moisture Resistance Test

MIL-STD-202G, Method 106G。

7.3 振动试验 Vibration Test

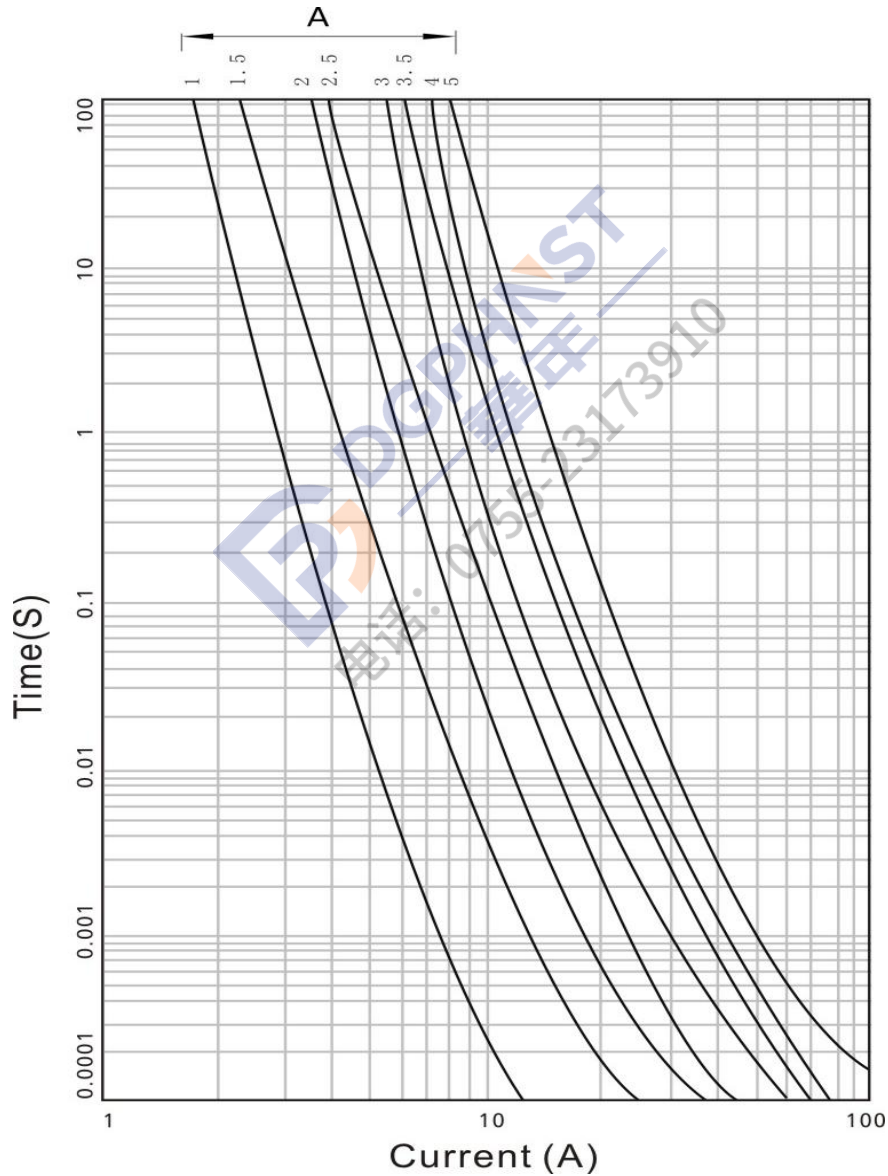
MIL-STD-202G, Method 201A。

7.4 可焊性试验 Solderability Test

MIL-STD-202G, Method 208H, IEC60127-2, IEC60068-2。

SHENZHEN LANSON ELECTRONICS CO., LTD.	PRODUCT	EDITION NO.	A/4
	SPECIFICATION	FILE NO.	LS/C-005-35
	MODEL: 06H	PAGE	PAGE 3 OF 4

8. 时间-电流曲线图 Time-Current Curve



9. 焊锡参数 Soldering Parameters

9.1 回流焊 Reflow Soldering

- 9.1.1 温度 Temperature 260°C
- 9.1.2 时间 Time ≤10 seconds
- 9.1.3 最大可以承受三次回流焊
Capable for three times reflow

9.2 波峰焊 Wave Soldering

- 9.2.1 温度 Temperature 260°C
- 9.2.2 时间 Time ≤10 seconds

9.3 手工焊锡 Hand Soldering

- 9.3.1 温度 Temperature 380°C
- 9.3.2 时间 Time ≤3 seconds

SHENZHEN LANSON ELECTRONICS CO., LTD.	PRODUCT	EDITION NO.	A/4
	SPECIFICATION	FILE NO.	LS/C-005-35
	MODEL: 06H	PAGE	PAGE 4 OF 4

10. 包装 Packing

10.1 自动机器包装 5000PCS/卷。Automaton taped 5000PCS per reel.

10.2 包装尺寸 Packing Size (unit: mm)

