



## SOD-123 Plastic-Encapsulate Diodes

### B5817W-5819W SCHOTTKY BARRIER DIODE

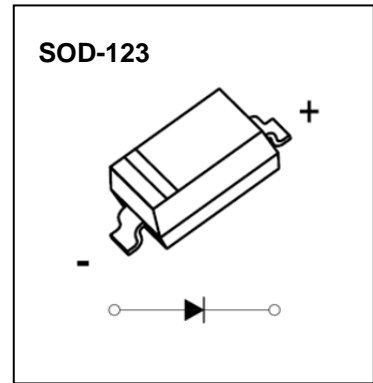
#### FEATURES

For use in low voltage, high frequency inverters  
Free wheeling, and polarity protection applications.

#### MARKING:

B5817W:SJ	B5818W:SK	B5819W:SL

The marking bar indicates the cathode  
Solid dot = Green molding compound device

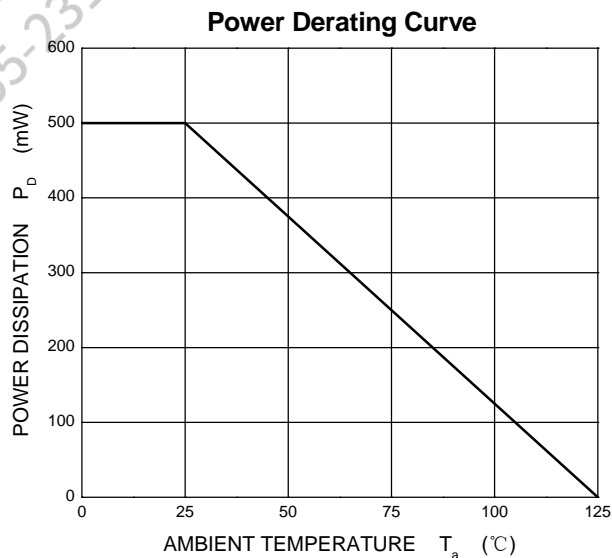
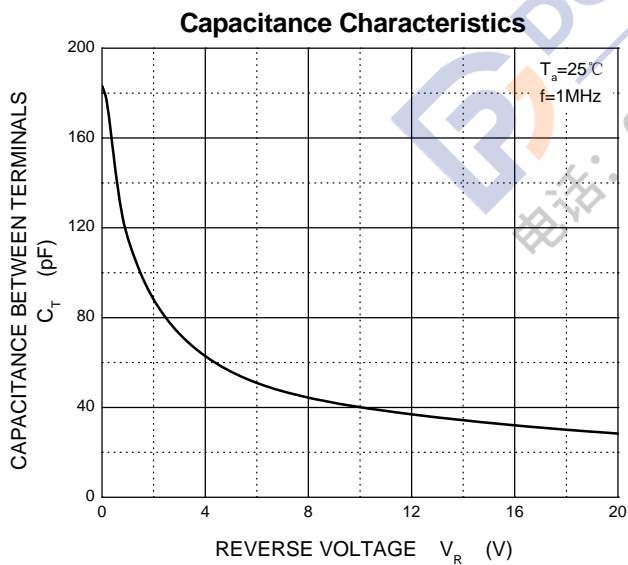
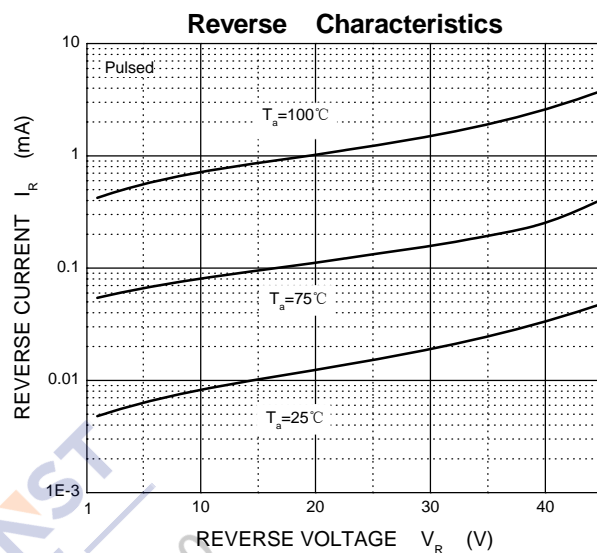
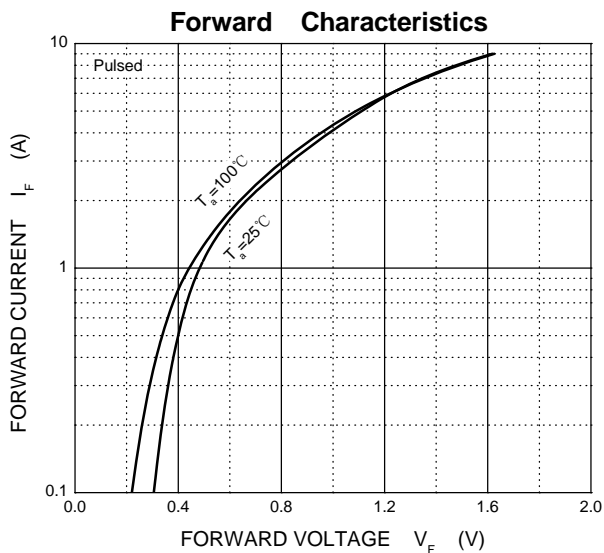


#### Maximum Ratings and Electrical Characteristics, Single Diode @Ta=25°C

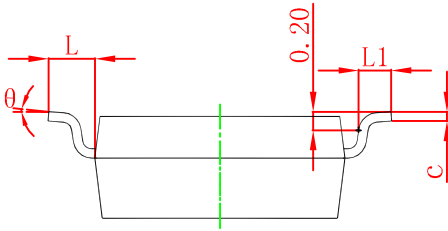
Parameter	Symbol	B5817W	B5818W	B5819W	Unit
Non-Repetitive Peak Reverse Voltage	$V_{RM}$	20	30	40	V
Peak Repetitive Peak Reverse Voltage	$V_{RRM}$	20	30	40	V
Working Peak Reverse Voltage	$V_{RWM}$				
DC Blocking Voltage	$V_R$				
RMS Reverse Voltage	$V_{R(RMS)}$	14	21	28	V
Average Rectified Output Current	$I_O$	1			A
Non-repetitive Peak Forward Surge Current @t=8.3ms	$I_{FSM}$	9			A
Repetitive Peak Forward Current	$I_{FRM}$	1.5			A
Power Dissipation	$P_d$	500			mW
Thermal Resistance Junction to Ambient	$R_{\theta JA}$	200			°C/W
Operation Junction temperature Range	$T_J$	-40~+125			°C
Storage Temperature Range	$T_{STG}$	-55~+150			°C

#### ELECTRICAL CHARACTERISTICS (Ta=25°C unless otherwise specified)

Parameter	Symbol	Test conditions	Min	Max	Unit
Reverse breakdown voltage	$V_{(BR)}$	$I_R=1mA$			V
		B5817W	20		
		B5818W B5819W	30 40		
Reverse voltage leakage current	$I_R$	$V_R=20V$			mA
		$V_R=30V$		1	
		$V_R=40V$			
Forward voltage	$V_F$	B5817W	$I_F=1A$	0.45	V
			$I_F=3A$	0.75	
		B5818W	$I_F=1A$	0.55	V
			$I_F=3A$	0.875	
		B5819W	$I_F=1A$	0.6	V
			$I_F=3A$	0.9	
Diode capacitance	$C_D$	$V_R=4V, f=1MHz$		120	pF



## SOD-123 Package Outline Dimensions



Symbol	Dimensions In Millimeters		Dimensions In Inches	
	Min	Max	Min	Max
A	1.050	1.250	0.041	0.049
A1	0.000	0.100	0.000	0.004
A2	1.050	1.150	0.041	0.045
b	0.450	0.650	0.018	0.026
c	0.080	0.150	0.003	0.006
D	1.500	1.700	0.059	0.067
E	2.600	2.800	0.102	0.110
E1	3.550	3.850	0.140	0.152
L	0.500 REF		0.020 REF	
L1	0.250	0.450	0.010	0.018
θ	0°	8°	0°	8°

## SOD-123 Suggested Pad Layout



### Note:

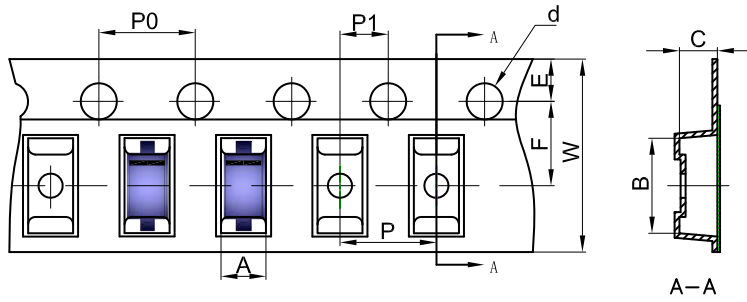
1. Controlling dimension: in millimeters.
2. General tolerance:  $\pm 0.05\text{mm}$ .
3. The pad layout is for reference purposes only.

### NOTICE

JCET reserve the right to make modifications, enhancements, improvements, corrections or other changes without further notice to any product herein. JCET does not assume any liability arising out of the application or use of any product described herein.

# SOD-123 Tape and Reel

## SOD-123 Embossed Carrier Tape

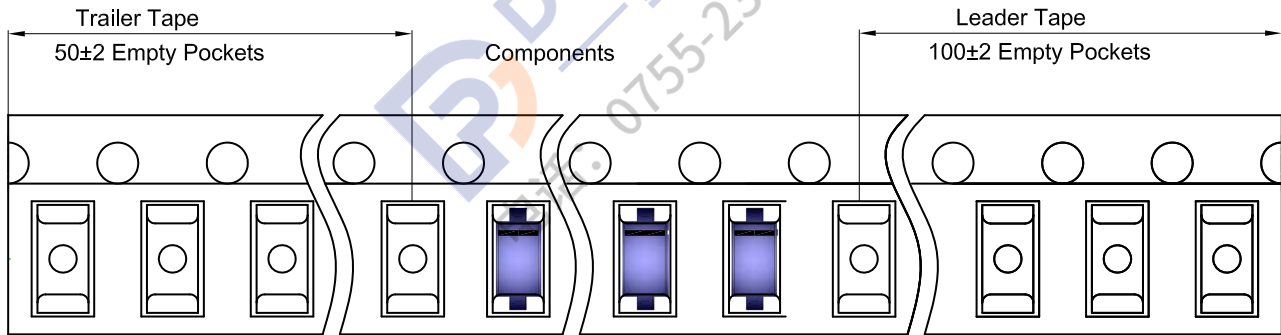


### Packaging Description:

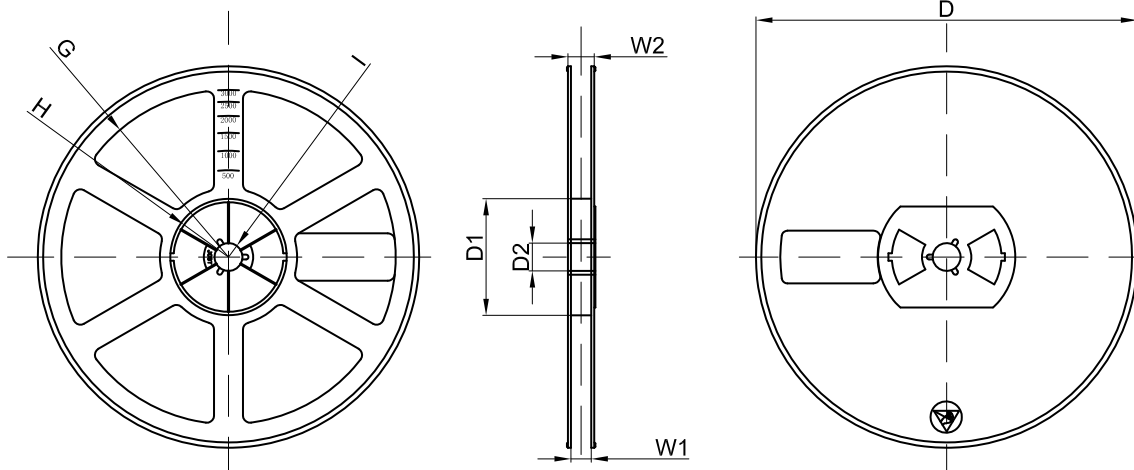
SOD-123 parts are shipped in tape. The carrier tape is made from a dissipative (carbon filled) polycarbonate resin. The cover tape is a multilayer film (Heat Activated Adhesive in nature) primarily composed of polyester film, adhesive layer, sealant, and anti-static sprayed agent. These reeled parts in standard option are shipped with 3,000 units per 7" or 17.8cm diameter reel. The reels are clear in color and is made of polystyrene plastic (anti-static coated).

Dimensions are in millimeter											
Pkg type	A	B	C	d	E	F	P0	P	P1	W	
SOD-123	1.85	3.95	1.57	Ø1.55	1.75	3.50	4.00	4.00	2.00	8.00	

## SOD-123 Tape Leader and Trailer



## SOD-123 Reel



Dimensions are in millimeter								
Reel Option	D	D1	D2	G	H	I	W1	W2
7"Dia	Ø178.00	54.40	13.00	R78.00	R25.60	R6.50	9.50	12.30

REEL	Reel Size	Box	Box Size(mm)	Carton	Carton Size(mm)	G.W.(kg)
3000 pcs	7 inch	45,000 pcs	203×203×195	180,000 pcs	438×438×220	