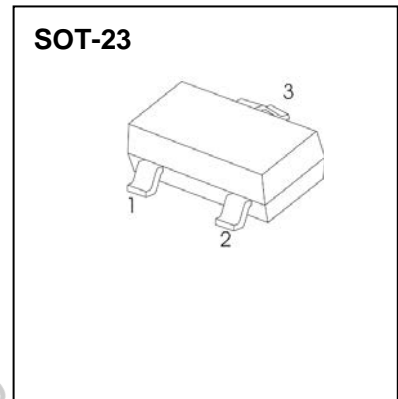


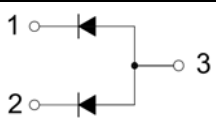
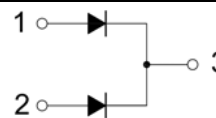

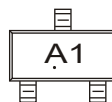
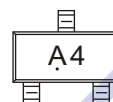

SOT-23 Plastic-Encapsulate Diodes

BAW56/BAV70/BAV99 SWITCHING DIODE

FEATURES

- Fast Switching Speed
- For General Purpose Switching Applications
- High Conductance



| BAW56 | BAV70 | BAV99 |
|---|---|---|
|  |  |  |
| MARKING:A1 | MARKING:A4 | MARKING:A7 |
|  |  |  |

Solid dot = Green molding compound device

Maximum Ratings @Ta=25°C

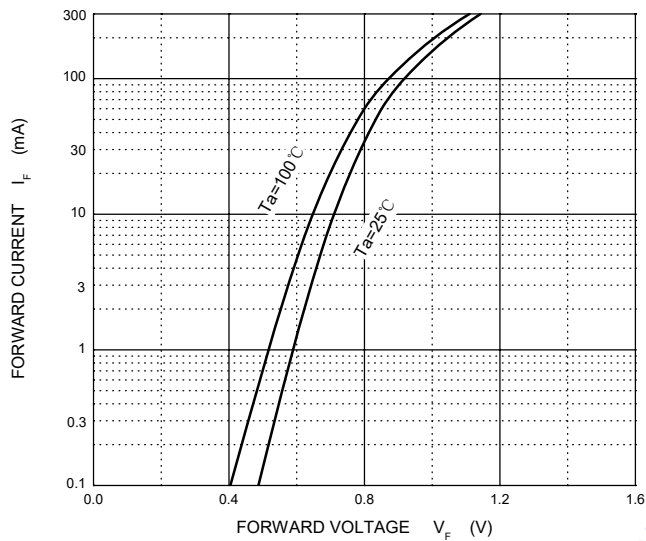
| Parameter | Symbol | Limit | Unit |
|---|-----------------|----------|------|
| Reverse Voltage | V_R | 70 | V |
| Forward Current | I_F | 200 | mA |
| Non-Repetitive Peak Forward Surge Current @ t=8.3ms | I_{FSM} | 2.0 | A |
| Power Dissipation | P_D | 225 | mW |
| Thermal Resistance Junction to Ambient | $R_{\theta JA}$ | 556 | °C/W |
| Thermal Resistance Junction to Case | $R_{\theta JC}$ | 26 | °C/W |
| Operation Junction and Storage Temperature Range | T_J, T_{STG} | -55~+150 | °C |

Electrical Characteristics @Ta=25°C

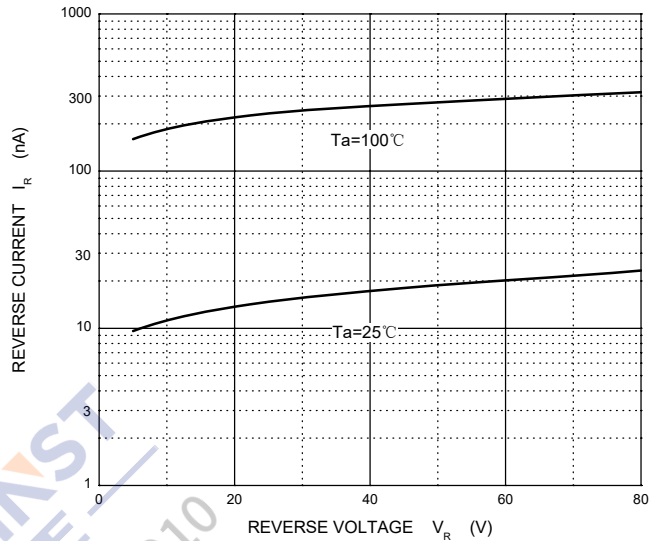
| Parameter | Symbol | Min | Typ | Max | Unit | Conditions |
|-------------------------------|----------|-----|-----|-------|---------|---|
| Reverse breakdown voltage | V_R | 70 | | | V | $I_R=100\mu A$ |
| Forward voltage | V_{F1} | | | 0.715 | V | $I_F=1mA$ |
| | V_{F2} | | | 0.855 | V | $I_F=10mA$ |
| | V_{F3} | | | 1 | V | $I_F=50mA$ |
| | V_{F4} | | | 1.25 | V | $I_F=150mA$ |
| Reverse current | I_R | | | 2.5 | μA | $V_R=70V$ |
| Capacitance between terminals | C_T | | | 1.5 | pF | $V_R=0, f=1MHz$ |
| Reverse recovery time | t_{rr} | | | 6 | ns | $I_F = I_R = 10mA,$ $I_{rr} = 0.1 \times I_R, R_L = 100\Omega$ |

Typical Characteristics

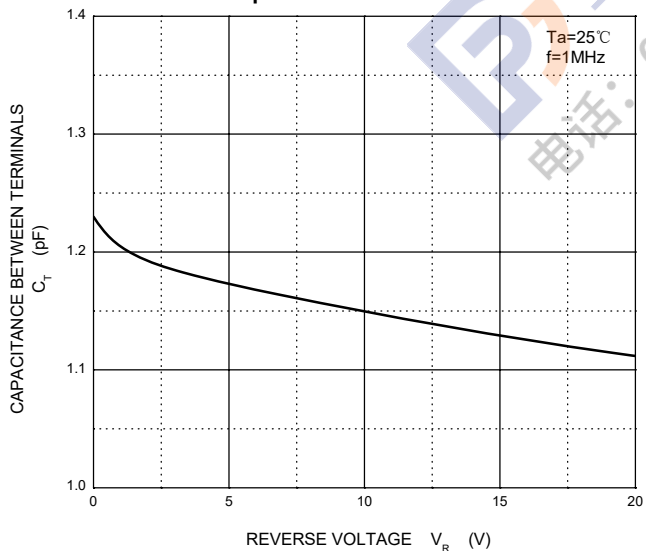
Forward Characteristics



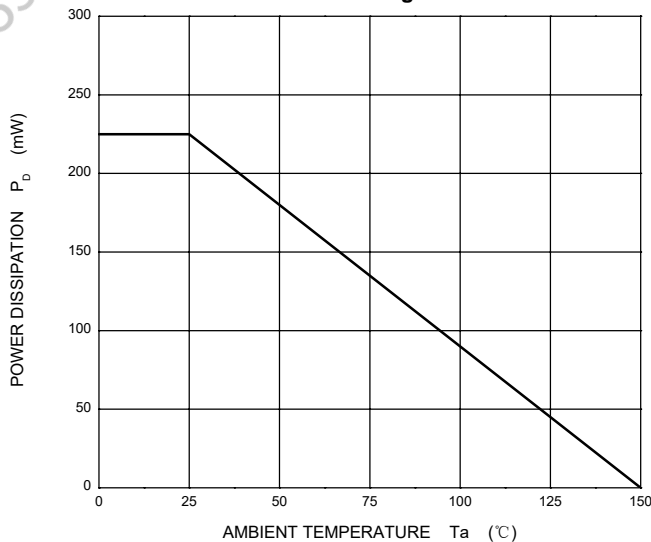
Reverse Characteristics



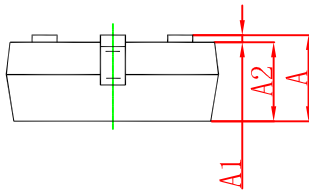
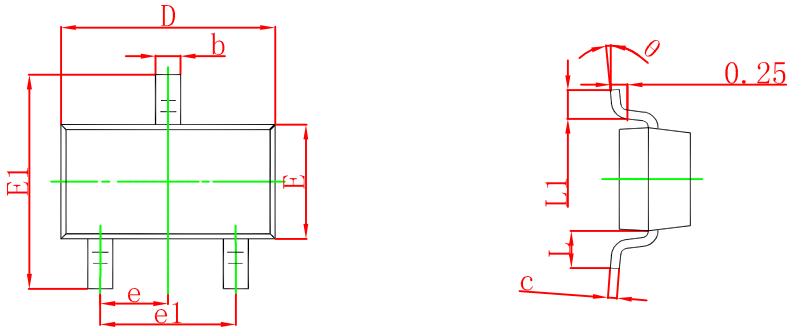
Capacitance Characteristics



Power Derating Curve



SOT-23 Package Outline Dimensions



| Symbol | Dimensions In Millimeters | | Dimensions In Inches | |
|--------|---------------------------|-------|----------------------|-------|
| | Min | Max | Min | Max |
| A | 0.900 | 1.150 | 0.035 | 0.045 |
| A1 | 0.000 | 0.100 | 0.000 | 0.004 |
| A2 | 0.900 | 1.050 | 0.035 | 0.041 |
| b | 0.300 | 0.500 | 0.012 | 0.020 |
| c | 0.080 | 0.150 | 0.003 | 0.006 |
| D | 2.800 | 3.000 | 0.110 | 0.118 |
| E | 1.200 | 1.400 | 0.047 | 0.055 |
| E1 | 2.250 | 2.550 | 0.089 | 0.100 |
| e | 0.950 TYP | | 0.037 TYP | |
| e1 | 1.800 | 2.000 | 0.071 | 0.079 |
| L | 0.550 REF | | 0.022 REF | |
| L1 | 0.300 | 0.500 | 0.012 | 0.020 |
| θ | 0° | 8° | 0° | 8° |

SOT-23 Suggested Pad Layout



Note:

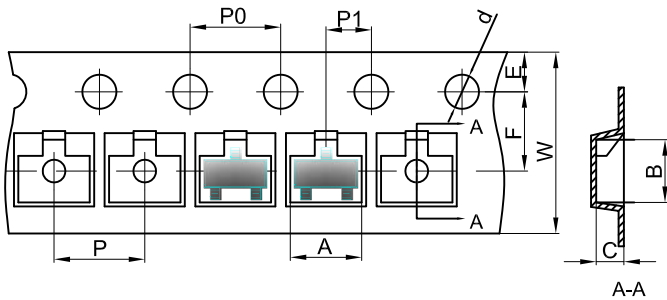
1. Controlling dimension: in millimeters.
2. General tolerance: $\pm 0.05\text{mm}$.
3. The pad layout is for reference purposes only.

NOTICE

JSCJ reserves the right to make modifications, enhancements, improvements, corrections or other changes without further notice to any product herein. JSCJ does not assume any liability arising out of the application or use of any product described herein.

SOT-23 Tape and Reel

SOT-23 Embossed Carrier Tape



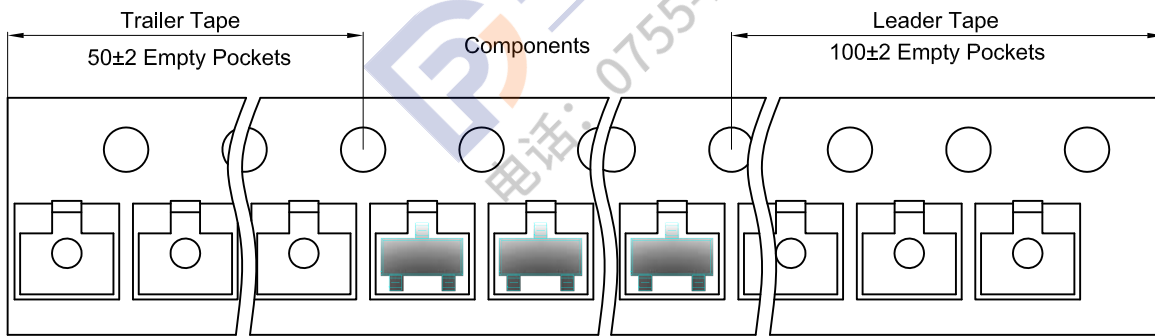
Packaging Description:

SOT-23 parts are shipped in tape. The carrier tape is made from a dissipative (carbon filled) polycarbonate resin. The cover tape is a multilayer film (Heat Activated Adhesive in nature) primarily composed of polyester film, adhesive layer, sealant, and anti-static sprayed agent. These reeled parts in standard option are shipped with 3,000 units per 7" or 17.8cm diameter reel. The reels are clear in color and is made of polystyrene plastic (anti-static coated).

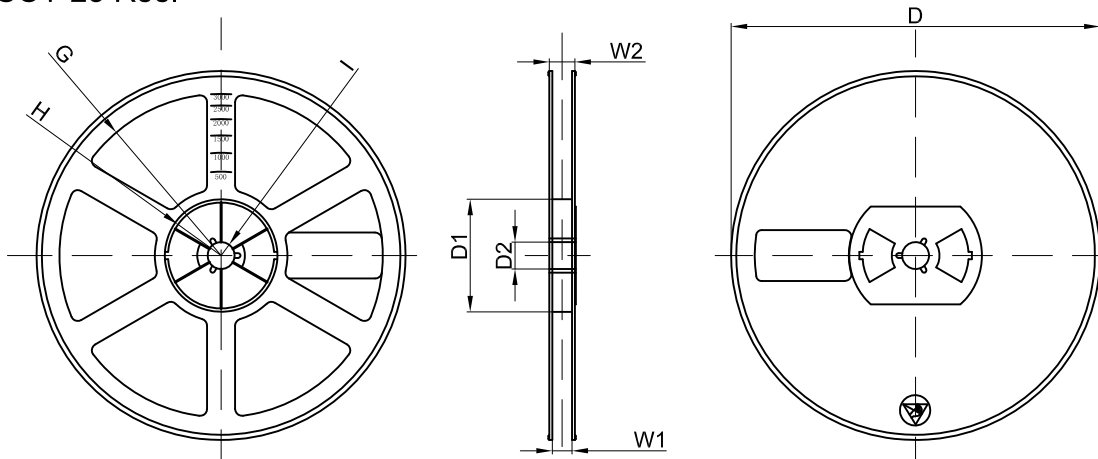
Dimensions are in millimeter

| Pkg type | A | B | C | d | E | F | P0 | P | P1 | W |
|----------|------|------|------|-------|------|------|------|------|------|------|
| SOT-23 | 3.15 | 2.77 | 1.22 | Ø1.50 | 1.75 | 3.50 | 4.00 | 4.00 | 2.00 | 8.00 |

SOT-23 Tape Leader and Trailer



SOT-23 Reel



Dimensions are in millimeter

| Reel Option | D | D1 | D2 | G | H | I | W1 | W2 |
|-------------|---------|-------|-------|--------|--------|-------|------|-------|
| 7"Dia | Ø178.00 | 54.40 | 13.00 | R78.00 | R25.60 | R6.50 | 9.50 | 12.30 |

| REEL | Reel Size | Box | Box Size(mm) | Carton | Carton Size(mm) | G.W.(kg) |
|----------|-----------|------------|--------------|-------------|-----------------|----------|
| 3000 pcs | 7 inch | 45,000 pcs | 203×203×195 | 180,000 pcs | 438×438×220 | |