

SOT-223(8R) Plastic-Encapsulate Transistors

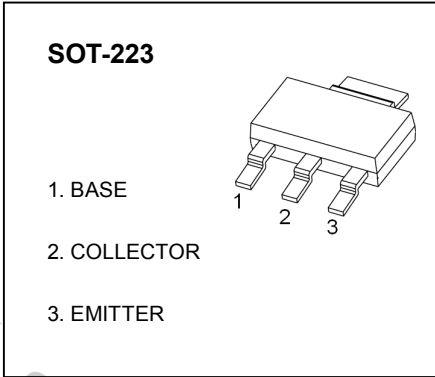
BCP69 TRANSISTOR (PNP)

FEATURES

- High Current and Low Voltage
- NPN Complement:BCP68

APPLICATIONS

- General Purpose Switching and Amplification
- Power Applications Such as Audio Output Stages



MAXIMUM RATINGS (T_a=25°C unless otherwise noted)

Symbol	Parameter	Value	Unit
V _{CB0}	Collector-Base Voltage	-32	V
V _{CEO}	Collector-Emitter Voltage	-20	V
V _{EBO}	Emitter-Base Voltage	-5	V
I _c	Collector Current	-1	A
P _c	Collector Power Dissipation	1	W
R _{θJA}	Thermal Resistance From Junction To Ambient	125	°C/W
T _j , T _{stg}	Operation Junction and Storage Temperature Range	-55~+150	°C

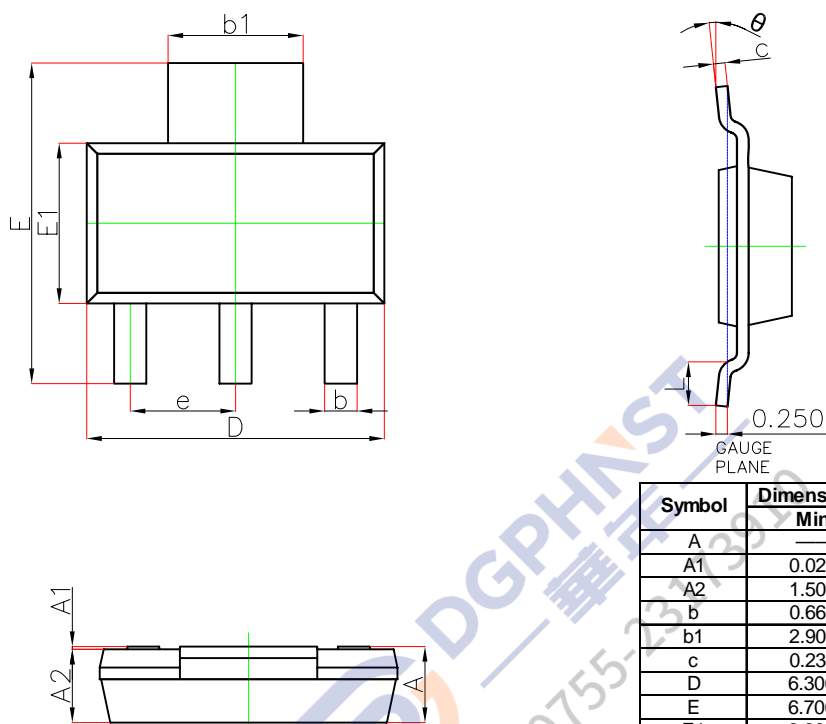
ELECTRICAL CHARACTERISTICS (T_a=25°C unless otherwise specified)

Parameter	Symbol	Test conditions	Min	Typ	Max	Unit
Collector-base breakdown voltage	V _{(BR)CBO}	I _c =-0.1mA, I _E =0	-32			V
Collector-emitter breakdown voltage	V _{(BR)CEO}	I _c =-1mA, I _B =0	-20			V
Emitter-base breakdown voltage	V _{(BR)EBO}	I _E =-0.1mA, I _c =0	-5			V
Collector cut-off current	I _{CB0}	V _{CB} =-25V, I _E =0			-100	nA
Emitter cut-off current	I _{EBO}	V _{EB} =-5V, I _c =0			-100	nA
DC current gain	h _{FE(1)}	V _{CE} =-1V, I _c =-0.5A	85		375	
	h _{FE(2)}	V _{CE} =-1V, I _c =-1A	60			
	h _{FE(3)}	V _{CE} =-10V, I _c =-5mA	50			
	h _{FE(4)}	V _{CE} =-1.8V, I _c =-10mA	140		230	
Collector-emitter saturation voltage	V _{CE(sat)}	I _c =-1A, I _B =-100mA			-0.5	V
Base-emitter voltage	V _{BE(1)}	V _{CE} =-10V, I _c =-5mA			-0.68	V
	V _{BE(2)}	V _{CE} =-1V, I _c =-1A			-1	V
Transition frequency	f _T	V _{CE} =-5V, I _c =-10mA, f=100MHz	40			MHz
Collector output capacitance	C _{ob}	V _{CB} =-5V, I _E =0, f=1MHz		48		pF

CLASSIFICATION OF h_{FE(1)}

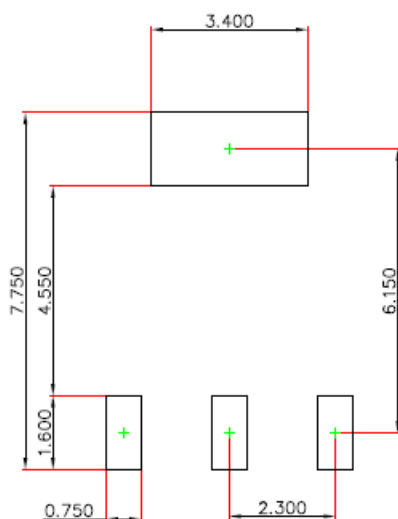
RANK	BCP69-16	BCP69-25
RANGE	100 - 250	160 - 375

SOT-223 Package Outline Dimensions



Symbol	Dimensions In Millimeters		Dimensions In Inches	
	Min.	Max.	Min.	Max.
A	—	1.800	—	0.071
A1	0.020	0.100	0.001	0.004
A2	1.500	1.700	0.059	0.067
b	0.660	0.840	0.026	0.033
b1	2.900	3.100	0.114	0.122
c	0.230	0.350	0.009	0.014
D	6.300	6.700	0.248	0.264
E	6.700	7.300	0.264	0.287
E1	3.300	3.700	0.130	0.146
e	2.300(BSC)		0.091(BSC)	
L	0.750	—	0.030	—
θ	0°	10°	0°	10°

SOT-223 Suggested Pad Layout



Note:

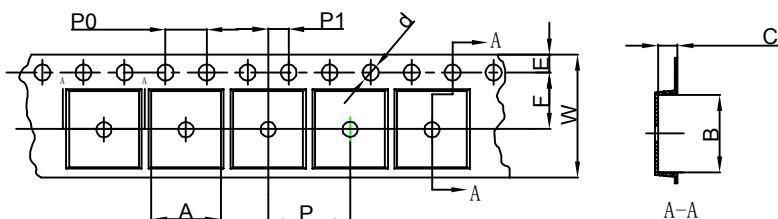
1. Controlling dimension: in millimeters.
2. General tolerance: ± 0.050 mm.
3. The pad layout is for reference purposes only.

NOTICE

JSCJ reserves the right to make modifications, enhancements, improvements, corrections or other changes without further notice to any product herein. JSCJ does not assume any liability arising out of the application or use of any product described herein.

SOT-223 Tape and Reel

SOT-223 Embossed Carrier Tape

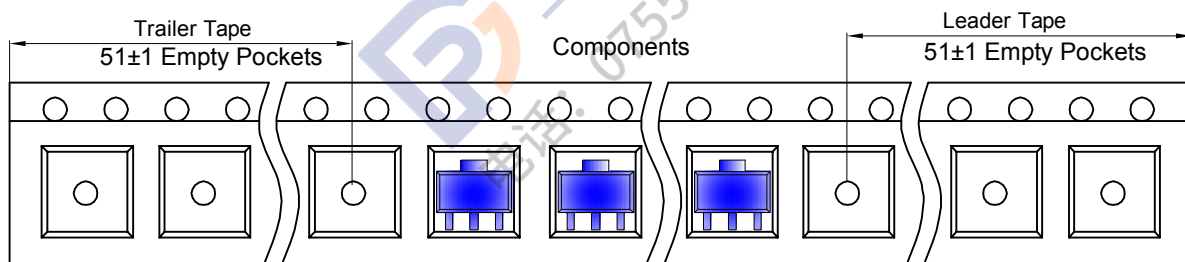


Packaging Description:

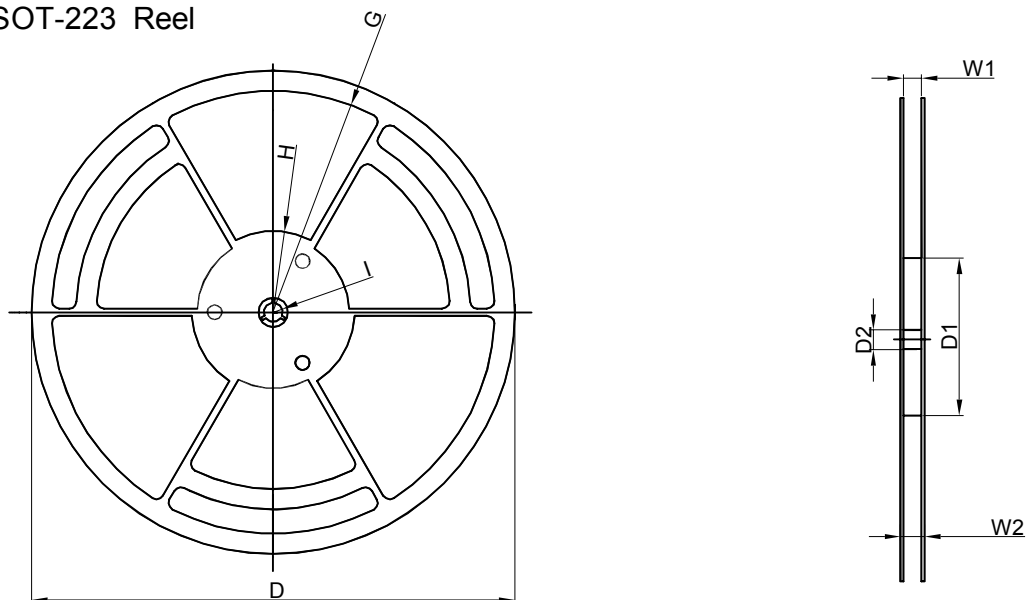
SOT-223 parts are shipped in tape. The carrier tape is made from a dissipative (carbon filled) polycarbonate resin. The cover tape is a multilayer film (Heat Activated Adhesive in nature) primarily composed of polyester film, adhesive layer, sealant, and anti-static sprayed agent. These reeled parts in standard option are shipped with 2,500 units per 13" or 33.0cm diameter reel. The reels are clear in color and is made of polystyrene plastic (anti-static coated).

Dimensions are in millimeter											
Pkg type	A	B	C	d	E	F	P0	P	P1	W	
SOT-223	6.765	7.335	1.88	Ø1.50	1.75	5.50	4.00	8.00	2.00	12.00	

SOT-223 Tape Leader and Trailer



SOT-223 Reel



Dimensions are in millimeter									
Reel Option	D	D1	D2	G	H	I	W1	W2	
13" Dia	Ø330.00	100.00	13.00	R151.00	R56.00	R6.50	12.40	17.60	

REEL	Reel Size	Box	Box Size(mm)	Carton	Carton Size(mm)	G.W.(kg)
2,500 pcs	13 inch	2,500 pcs	336×336×48	20,000 pcs	445×355×365	