



## SOT-323 Plastic-Encapsulate Diodes

### BAS19W/20W/21W SWITCHING DIODE

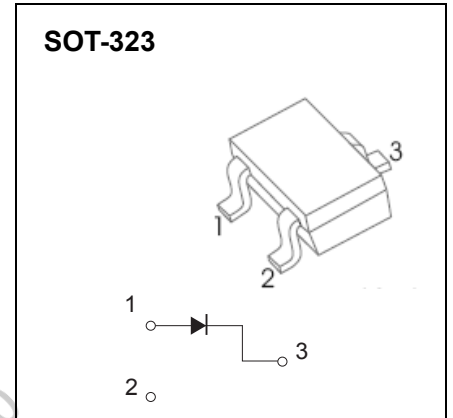
#### FEATURES

- Fast Switching Speed
- Surface Mount Package Ideally Suited for Automatic Insertion
- For General Purpose Switching Applications
- High Conductance

#### MARKING:

BAS19W:KA8	BAS20W:KT2	BAS21W:KT3

Solid dot = Green molding compound device.



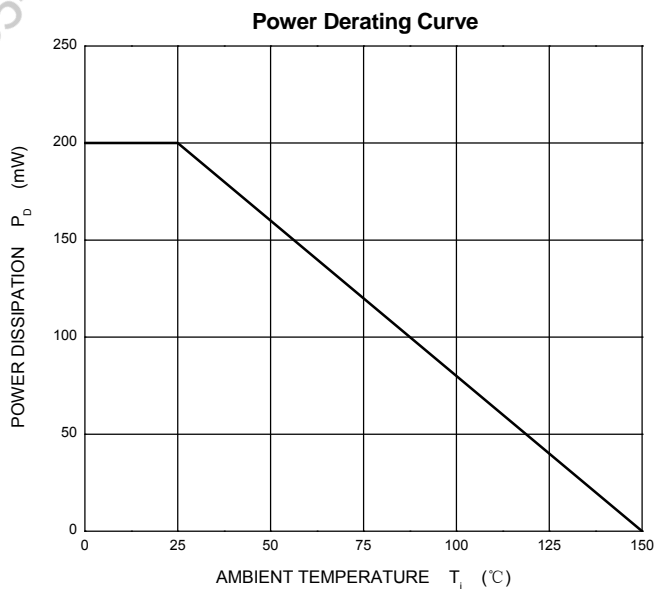
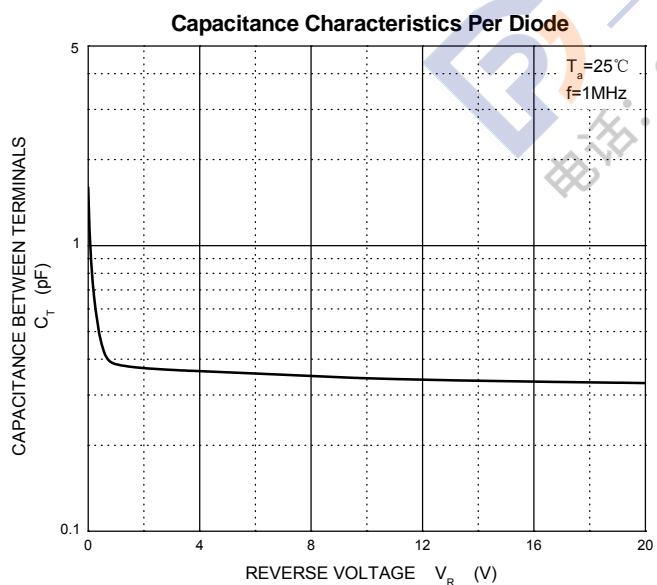
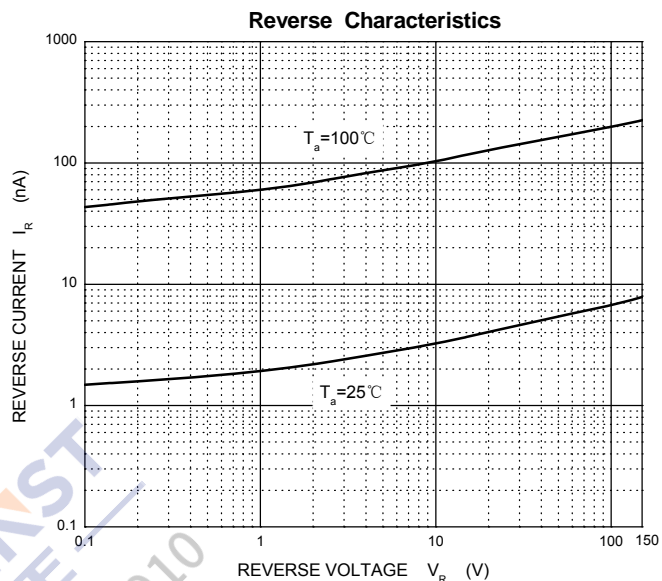
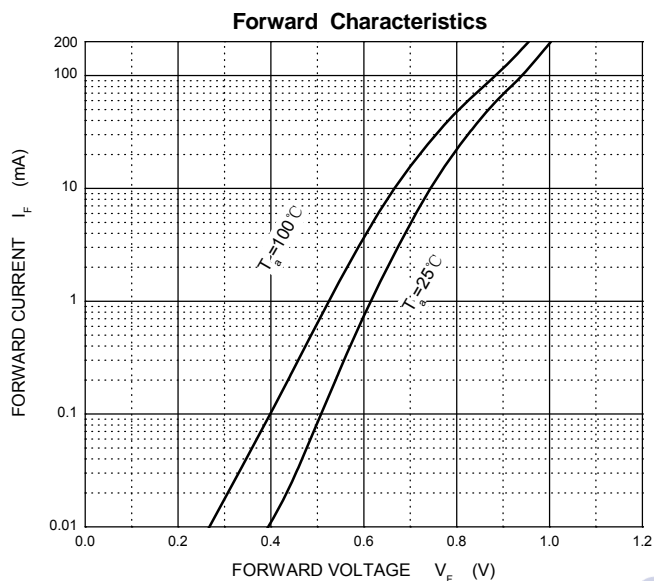
#### Maximum Ratings @Ta=25°C

Parameter	Symbol	BAS19W	BAS20W	BAS21W	Unit
Peak Repetitive Reverse Voltage	$V_{RRM}$	100	150	250	V
DC Blocking Voltage	$V_R$				
Average Rectified Output Current	$I_O$	200			mA
Non-Repetitive Peak Forward Surge Current @t=8.3ms	$I_{FSM}$	2.5			A
Power Dissipation	$P_D$	200			mW
Thermal Resistance $\bar{Z}_{ca}$ Junction to Ambient	$R_{\theta JA}$	625			°C/W
Operation Junction and Storage Temperature Range	$T_J, T_{STG}$	-55~+150			°C

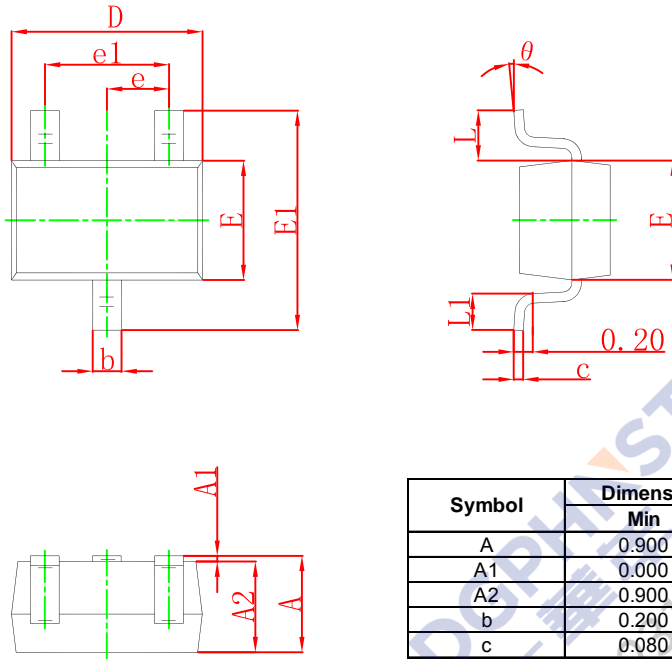
#### ELECTRICAL CHARACTERISTICS (Ta=25°C unless otherwise specified)

Parameter	Symbol	Test conditions	Min	Max	Unit
Reverse breakdown voltage	$V_{(BR)}$	$I_R = 100\mu A$	100 150 250		V
Reverse voltage leakage current	$I_R$	$V_R = 100V$ $V_R = 150V$ $V_R = 200V$		0.1	$\mu A$
Forward voltage	$V_F$	$I_F = 100mA$ $I_F = 200mA$		1 1.25	V
Diode capacitance	$C_D$	$V_R = 0V, f = 1MHz$		5	pF
Reverses recovery time	$t_{rr}$	$I_F = I_R = 30mA, I_{rr} = 0.1 \times I_R$		50	ns

# Typical Characteristics

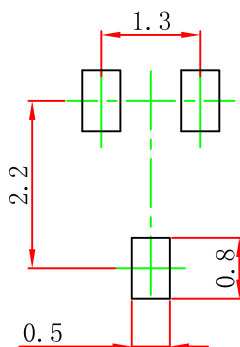


## SOT-323 Package Outline Dimensions



Symbol	Dimensions In Millimeters		Dimensions In Inches	
	Min	Max	Min	Max
A	0.900	1.100	0.035	0.043
A1	0.000	0.100	0.000	0.004
A2	0.900	1.000	0.035	0.039
b	0.200	0.400	0.008	0.016
c	0.080	0.150	0.003	0.006
D	2.000	2.200	0.079	0.087
E	1.150	1.350	0.045	0.053
E1	2.150	2.450	0.085	0.096
e	0.650 TYP		0.026 TYP	
e1	1.200	1.400	0.047	0.055
L	0.525 REF		0.021 REF	
L1	0.260	0.460	0.010	0.018
theta	0°	8°	0°	8°

## SOT-323 Suggested Pad Layout



Note:

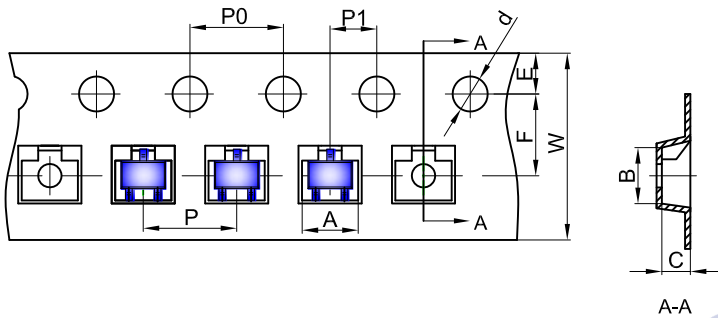
1. Controlling dimension: in millimeters.
2. General tolerance:  $\pm 0.05$  mm.
3. The pad layout is for reference purposes only.

### NOTICE

JSCJ reserves the right to make modifications, enhancements, improvements, corrections or other changes without further notice to any product herein. JSCJ does not assume any liability arising out of the application or use of any product described herein.

# SOT-323 Tape and Reel

## SOT-323 Embossed Carrier Tape

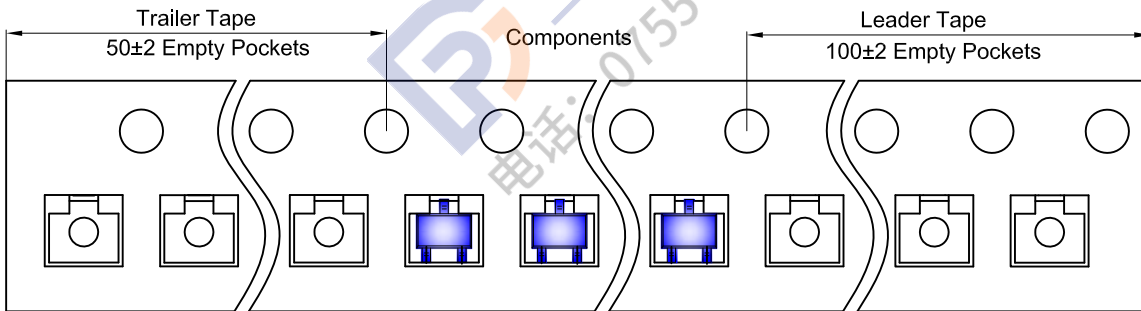


### Packaging Description:

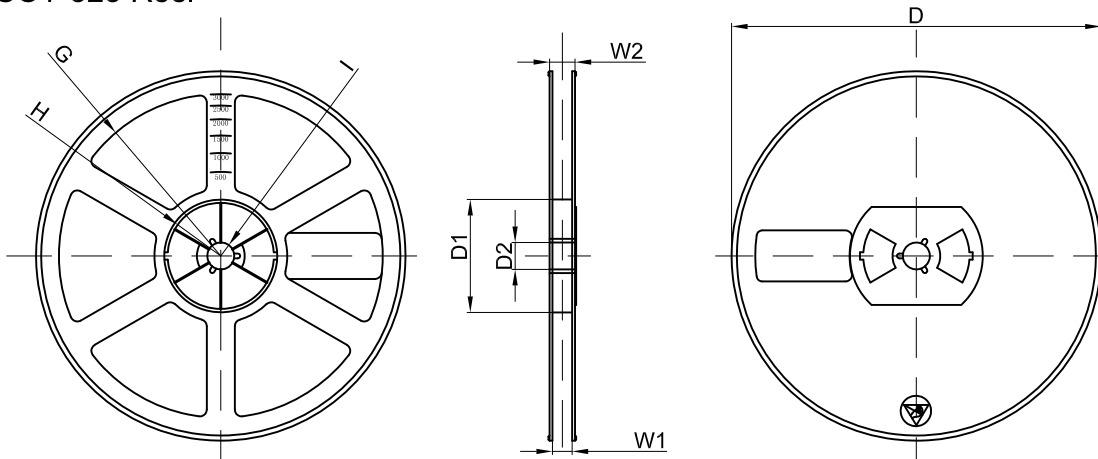
SOT-323 parts are shipped in tape. The carrier tape is made from a dissipative (carbon filled) polycarbonate resin. The cover tape is a multilayer film (Heat Activated Adhesive in nature) primarily composed of polyester film, adhesive layer, sealant, and anti-static sprayed agent. These reeled parts in standard option are shipped with 3,000 units per 7" or 17.8cm diameter reel. The reels are clear in color and is made of polystyrene plastic (anti-static coated).

Dimensions are in millimeter											
Pkg type	A	B	C	d	E	F	P0	P	P1	W	
SOT-323	2.25	2.55	1.19	Ø1.55	1.75	3.50	4.00	4.00	2.00	8.00	

## SOT-323 Tape Leader and Trailer



## SOT-323 Reel



Dimensions are in millimeter								
Reel Option	D	D1	D2	G	H	I	W1	W2
7" Dia	Ø178.00	54.40	13.00	R78.00	R25.60	R6.50	9.50	12.30

REEL	Reel Size	Box	Box Size(mm)	Carton	Carton Size(mm)	G.W.(kg)
3000 pcs	7 inch	45,000 pcs	203×203×195	180,000 pcs	438×438×220	