

## 1. 产品图片示例 Product images example



## 2. 适用范围 Scope of application

本产品主要用于充电桩、电动汽车保护、主熔断器、电池保护、储能系统、风电、逆变器、功率变换系统、动力电池 MSD 配套、半导体等车用器件与设备的过载、短路以及后备保护。

This product is mainly used for overload, short circuit, and backup protection of vehicle components and equipment such as charging stations, electric vehicle protection, main fuses, battery protection, energy storage systems, wind power, inverters, power conversion systems, power battery MSD matching, semiconductors.

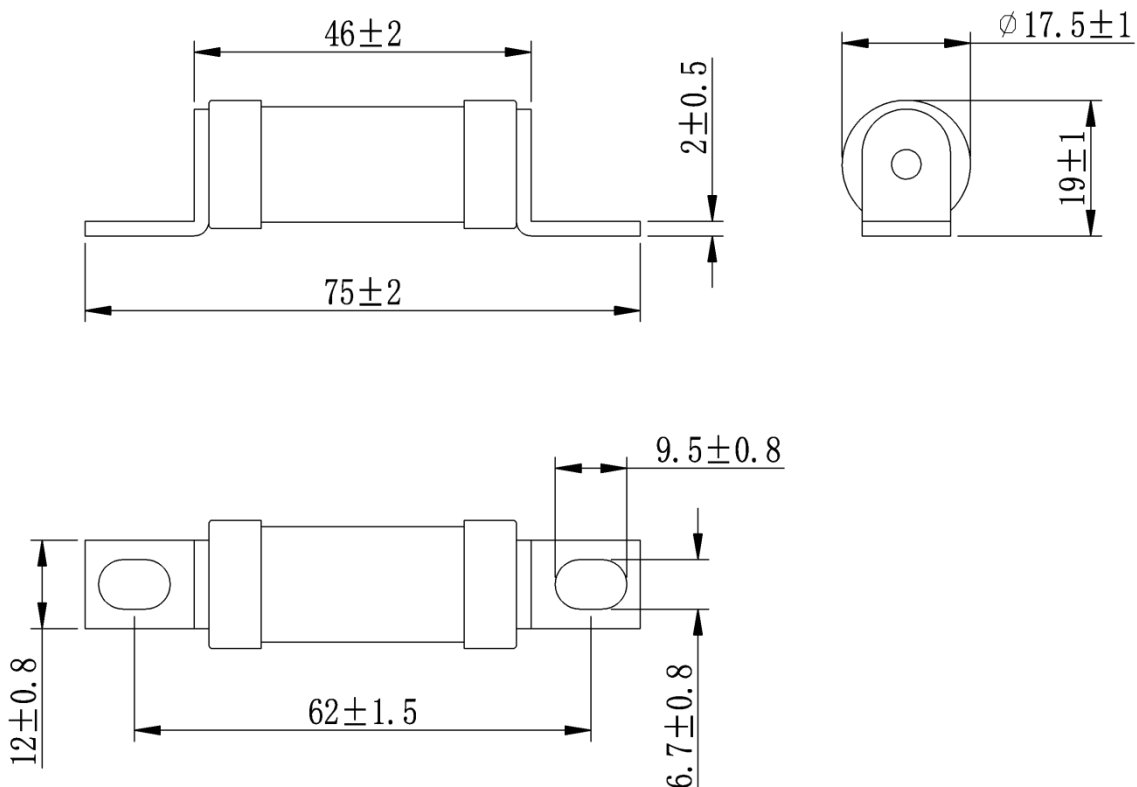
## 3. 相关标准及认证 Relevant Standards and Certification

3.1 执行标准 Standard: UL248-1 UL248-13

3.2 认证 Certification:

产品编号 Part Number	额定电流 Ampere Rating	额定电压 Voltage Rating	分段能力 Breaking Capacity	认证 UL
EV18V750-100A	100A	750Vac/750Vdc	50kA@750Vac 20kA@750Vdc	●

## 4. 结构及尺寸 Structure and Size (unit: mm)




## 5. 原材料明细 Material Details

编号 No.	零件名称 Part Name	材质 Material
1	内帽 End cap	铜镀锡 Tin plated brass
2	接线端子 Terminals	铜镀锡 Tin plated brass
3	陶瓷管 Ceramic Tube	陶瓷 Ceramic
4	熔体 Fuse element	银 Silver
5	填充物 Filling	硅砂 SiO <sub>2</sub>

## 6. 标示 Marking

保险丝应有下列标示：The fuse shall have the following marking：

良胜标志+良胜型号+额定电流+额定电压+认证符号 

Lanson's logo + Model + Ampere rating + Voltage rating + Approved Symbol

 EV18 100A 750Vac/750Vdc 

## 7. 产品编号规则 Product numbering rules



## 8. 外观 Appearance

8.1 外观不应有显著的污点、裂纹。

There shall not be any remarkable stain, rust or crack on the appearances.

8.2 标示应该很容易辨识。

Marking shall be easily legible.

## 9. 电气特性 Electrical characteristics

### 9.1 实验条件 Test conditions

所有测试环境温度为 25±5℃。

All electrical characteristics tests are conducted at an ambient temperature of 25±5℃.

### 9.2 分断能力 Interrupting Rating

20kA 在 750 伏直流电压条件下；50kA 在 750 伏交流电压条件下。

20kA at 750Vdc；50kA at 750Vac.

### 9.3 温度上升试验 Temperature Rising Test

当保险丝通以 100% 倍额定电流的条件下进行测试时，在达到热量平衡后，测量保险丝的温度，保险丝触头的温度上升不得超过 130℃。

Measure the temperature of the surface of the fuse under the 100% rated current, when the thermal equilibrium reached, The temperature rising on the contact is not higher than 130℃.

Note: Temp. rise = Fuse temp. - Ambient temp.

## 10. 环境特性 Environmental characteristics

### 10.1 使用温度范围 Operating Temperature

-40℃~120℃。

### 10.2 保存条件 Storage Conditions

相对湿度≤75%，可存放3年。

Relative humidity≤75%, store 3 years .

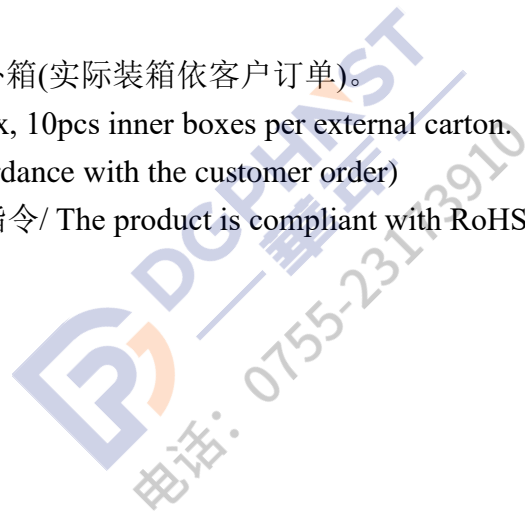
## 11. 包装 Packing

### 11.1 42pcs/内盒、10内盒/外箱(实际装箱依客户订单)。

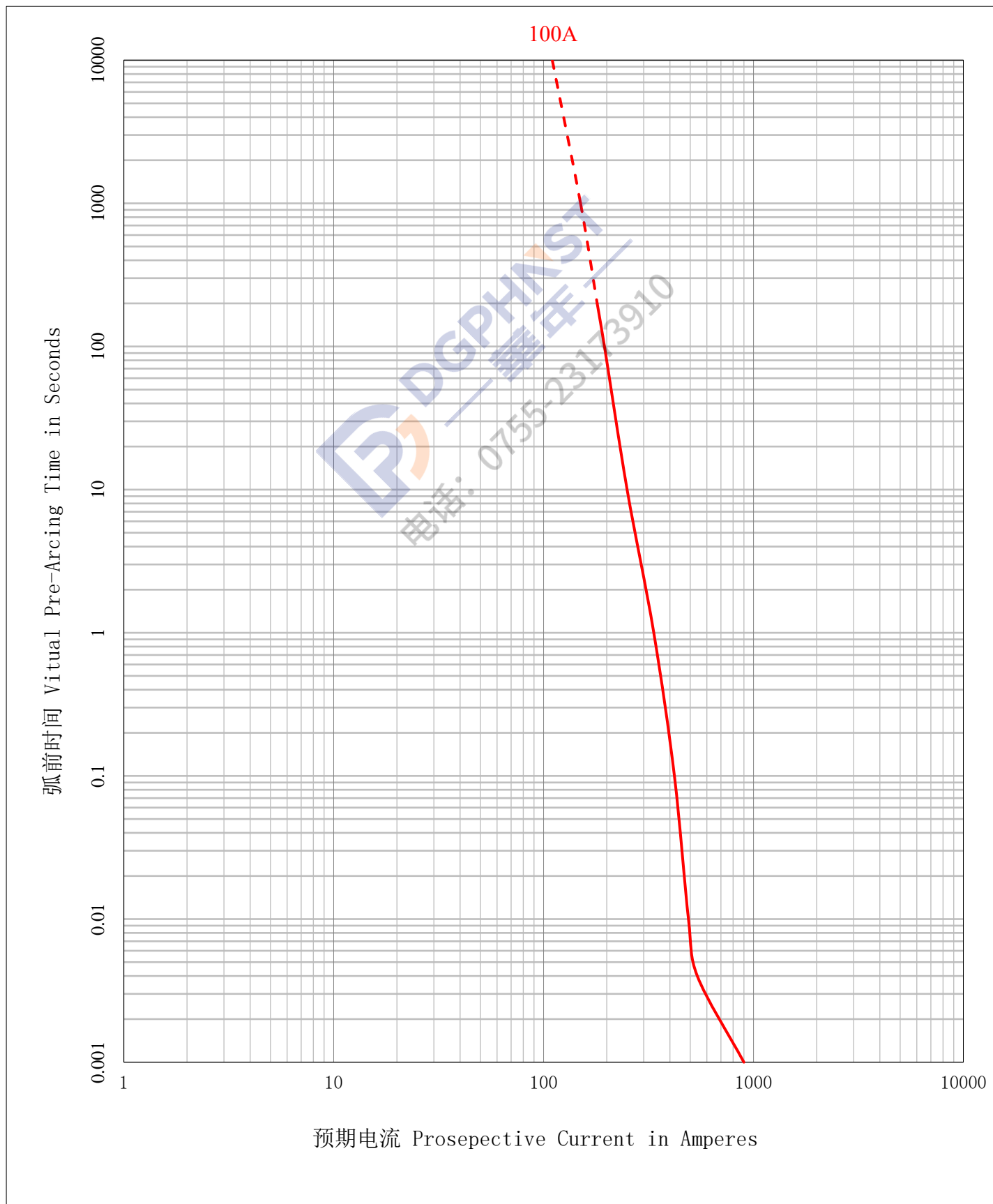
42pcs fuses per inner box, 10pcs inner boxes per external carton.

(The actual case in accordance with the customer order)

### 11.2 产品符合 RoHS 环保指令/ The product is compliant with RoHS Directive.




12. 时间-电流曲线 Time-Current curve



## 修订履历

版次	修订内容	修订时间	修订人
A0	首次发行	2024/05/30	苏惠盈
A1	增加第 1 条：产品图示例	2024/08/14	苏惠盈


 DGPHYST  
 电话: 0755-23173910