

SE05N6C01GK
Features

- ◆ Operating Voltage: 5.0 V
- ◆ Low Leakage: nA Level
- ◆ Low Capacitance
- ◆ Extremely-Low Clamping Voltage
- ◆ RoHS compliant

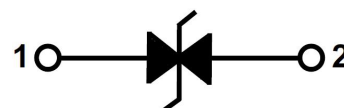
Applications

- ◆ Cellular Handsets & Accessories
- ◆ Digital Visual Interface (DVI)
- ◆ RF Circuits
- ◆ Display Port
- ◆ USB Ports

Mechanical Characteristics

- ◆ DFN1006 (1.0x0.6x0.5mm) Package
- ◆ Weight 0.5 Milligrams (Approximate)
- ◆ Quantity Per Reel : 10,000pcs
- ◆ Reel Size : 7 inch
- ◆ Lead Finish : Lead Free

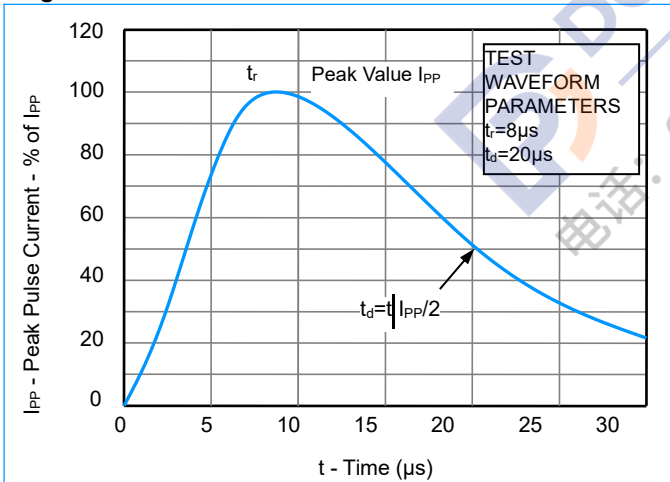
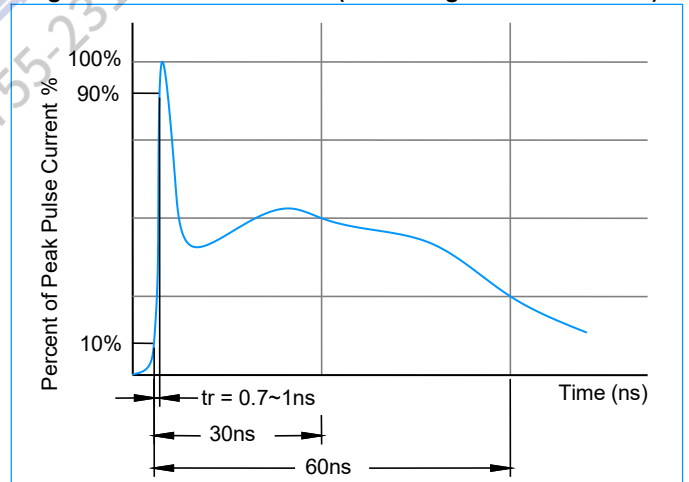
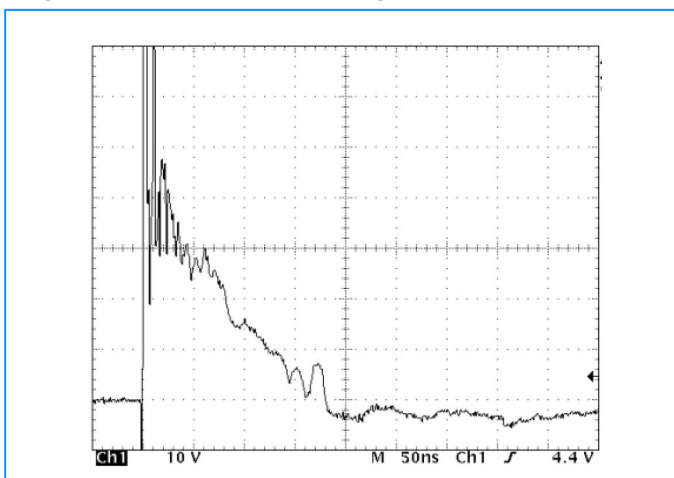
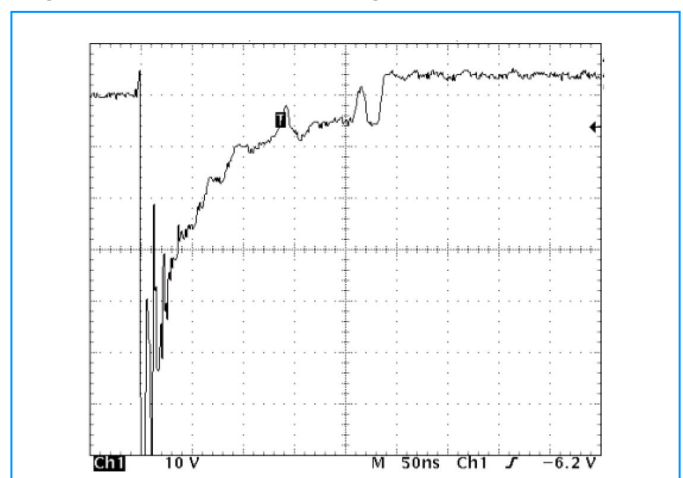
DFN1006

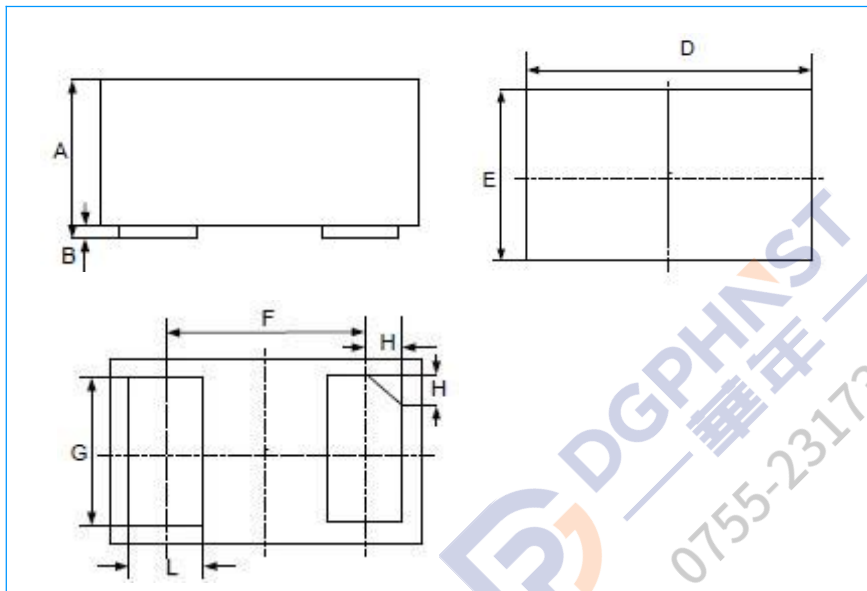
Functional Diagram

Absolute Maximum Ratings ($T_A=25^{\circ}\text{C}$ unless otherwise specified)

Symbol	Parameter	Value	Units
T_L	Lead Soldering Temperature	260 (10sec)	$^{\circ}\text{C}$
T_J	Operating Temperature Range	-55 to +125	$^{\circ}\text{C}$
T_{STG}	Storage Temperature Range	-55 to +150	$^{\circ}\text{C}$
V_{ESD}	ESD per IEC61000-4-2 (Air)	± 25	kV
	ESD per IEC61000-4-2 (Contact)	± 25	

SE05N6C01GK
Electrical Characteristics ($T_A = 25^\circ\text{C}$ unless otherwise specified)

Parameter	Symbol	Conditions	Min.	Typ.	Max.	Units
Reverse Working Voltage	V_{RWM}	—	—	—	5.0	V
Breakdown Voltage	V_{BR}	$I_T=1\text{mA}$	6.5	7.5	9	V
Leakage Current	I_R	$V_{RWM}=5.0\text{V}, T=25^\circ\text{C}$	—	—	1.0	μA
Clamping Voltage	V_C	$I_{PP}=1\text{A}, t_p=8/20\mu\text{s}$	—	—	11	V
Clamping Voltage	V_C	$I_{PP}=5\text{A}, t_p=8/20\mu\text{s}$	—	20	—	V
Junction Capacitance	C_J	$V_R=0\text{V}, f=1\text{MHz}$	—	0.35	—	pF

Characteristic Curves
Fig1. 8/20 us Pulse Waveform

Fig2. ESD Pulse Waveform (according to IEC 61000-4-2)

Fig4. Clamped +8 kV ESD Voltage Waveform

Fig5. Clamped -8 kV ESD Voltage Waveform


SE05N6C01GK
DFN1006 Package Outline & Dimensions


Symbol	Millimeters	
	Min.	Max.
A	0.34	0.55
B	0	0.05
D	0.95	1.08
E	0.55	0.68
F	0.65(Typ)	
G	0.40	0.60
H	0.07	0.17
L	0.20	0.30