

产品规格书

PRODUCT SPECIFICATION

客户名称:

CUSTOMER:

产品名称:

PRODUCT NAME:

保险丝 FUSE

型号规格:

MODEL DETAIL:

3R 2A 350V

料号:

PART NO.:

3R1200HP

供应商:

SUPPLIER:

深圳市良胜电子有限公司

SHENZHEN LANSON ELECTRONICS CO., LTD.

地址:

ADDRESS:

深圳市宝安区福永街道富桥第三工业区 A18 栋

A18th Bldg, Fuqiao 3rd Industrial Zone, Fuyong Town. Baoan District, Shenzhen.

TEL:0755-29929709 29929711

FAX:0755-29929812

Http:www.lansonfuse.com

E-mail:lanson@lansonfuse.com

编制 PREPARED BY	审核 CHECKED BY	批准 APPROVED BY
		

承认 SIGNATURE	审核 CHECKED BY	批准 APPROVED BY

供方签章:

SUPPLIER:

日期:

DATE: 2022.06.30



需方签章:

CUSTOMER:

日期:

DATE:

SHENZHEN LANSON ELECTRONICS CO.,LTD.	PRODUCT	EDITION NO.	A/8
	SPECIFICATION	FILE NO.	LS/C-005-03
	MODEL: 3R	PAGE	PAGE 1 OF 4

1. 适用范围 Scope of application

本产品适用于各种电子电器内的电路中起过电流保护作用。

This product is suitable for various kinds of electronic machines to work for over current protection.

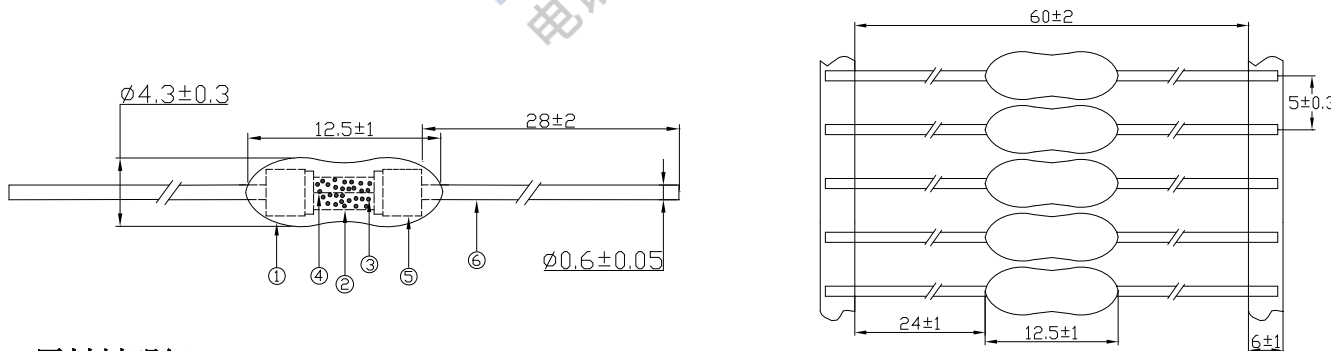
2. 相关标准及认证 Relevant Standards and Certification

2.1 执行标准 Standard: UL248-1 UL248-14

2.2 认证 Certification:

额定电压 Voltage rating	UL		CUL	
	认证范围 Scope of Certification	证书编号 Certification No.	认证范围 Scope of Certification	证书编号 Certification No.
300V	100mA~10A	E221465	100mA~10A	E221465
350V	100mA~10A	E221465	100mA~10A	E221465

3. 结构及尺寸 Structure and Size (unit: mm)



4. 原材料明细 Material Details

编号 No.	零件名称 Part Name	材质 Material
①	涂层 Coat	环氧树脂 Epoxy Resin
②	陶瓷管 Ceramic tube	陶瓷 Ceramic
③	填充物 Filling	硅砂 SiO ₂
④	熔丝 Fuse element	合金线 Alloy
⑤	端帽 End cap	黄铜表面镀镍 Nickel plated brass
⑥	引线 Lead wire	镀锡铜线 Tinned copper wire

5. 标示 Marking

保险丝应有下列标示: The fuse shall have the following marking:

良胜标志 Lanson's logo

额定电流 Ampere rating 2A

额定电压 Voltage rating 350V

SHENZHEN LANSON ELECTRONICS CO.,LTD.	PRODUCT	EDITION NO.	A/8
	SPECIFICATION	FILE NO.	LS/C-005-03
	MODEL: 3R	PAGE	PAGE 2 OF 4

6. 外观 Appearance

6.1 外观不应有显著的污点、裂纹。

There shall not be any remarkable stain, rust or crack on the appearances.

6.2 标示应该很容易辨识。

Marking shall be easily legible.

7. 机械特性 Mechanical characteristics

拉力强度试验 Tensile test

将保险丝固定好后，对保险丝两端引线施加 10N 的轴向拉力，持续 1 分钟。试验过后，保险丝没有任何破损现象。

Exert the axial pulling force of 10N to the both ends of lead wire for 1 minute. After the test the fuse shall be no damage and loosening.

8. 电气特性 Electrical characteristics

8.1 实验条件 Test condition

所有测试环境温度为 $25\pm 5^{\circ}\text{C}$ 。

All electrical characteristics tests are conducted at an ambient temperature of $25\pm 5^{\circ}\text{C}$.

8.2 分断能力 Interrupting Rating

100 安培在 300 伏交流电压条件下。

100amperes at 300V AC.

100 安培在 350 伏交流电压条件下。

100 amperes at 350V AC.

8.3 温度上升试验 Temperature Rising Test

当保险丝通以 100% 倍额定电流的条件下进行测试时，在达到热量平衡后，测量保险丝的温度，保险丝表面的温度上升不得超过 75°C 。

注：温度上升 = 保险丝表面的温度 - 环境温度

Measure the temperature of the surface of the fuse under the 100% rated current, when the thermal equilibrium reached, The temperature rising on the fuse surface is not higher than 75°C .

Note: Temp. rise = Fuse temp. - Ambient temp.

SHENZHEN LANSON ELECTRONICS CO.,LTD.	PRODUCT	EDITION NO.	A/8
	SPECIFICATION	FILE NO.	LS/C-005-03
	MODEL: 3R	PAGE	PAGE 3 OF 4

8.4 时间-电流特性 Time-Current Characteristics

额定电流的% % of ampere rating	熔断时间 Opening time
100%	4 hours Min
200%	1~60 s

8.5 焊接参数 Soldering parameters

8.5.1 波峰焊 260℃,最大10秒,

Wave soldering 260 °C,10 sec. Maximum

8.5.2 手工焊 350℃,最大5秒,

Manual soldering 350°C, 5 sec. Maximum

8.6 时间电流曲线图见附页 Time- current curve see attachment

9. 环境特性 Environmental characteristics

9.1 使用温度范围 Operating Temperature

-55℃~125℃。

9.2 保存条件 Storage Conditions

相对湿度≤75%，可存放3年。

Relative humidity≤75%, store 3 years .

10. 包装 Packing

10.1 自动机器编带包装 1000PCS/内盒，10 内盒/外箱(实际装箱依客户订单)。

Automaton taped 1000 fuses per inner box, 10 inner boxes per external carton.(The actual case in accordance with the customer order)

10.2 产品符合 RoHS 环保指令

The product is compliant with RoHS Directive

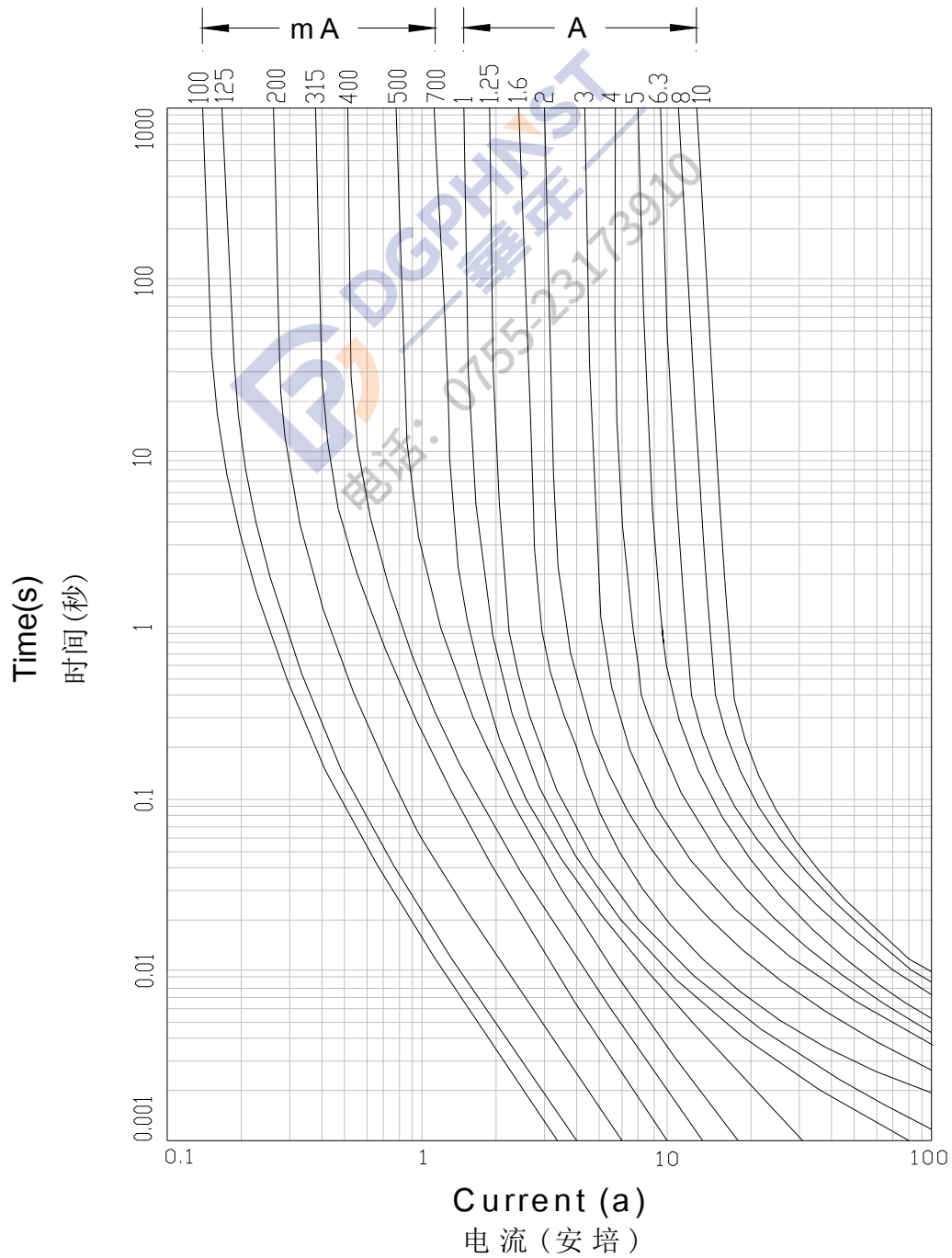
附：承认书后附安规证书及环保报告

Appendix: The specification attached safety certificate and RoHS directive test report.

SHENZHEN LANSON ELECTRONICS CO.,LTD.	PRODUCT	EDITION NO.	A/8
	SPECIFICATION	FILE NO.	LS/C-005-03
	MODEL: 3R	PAGE	PAGE 4 OF 4

附页 attachment

Time-Current Characteristics
电流-时间曲线图



JDYX2.E221465 - Fuses, Supplemental - Component

Fuses, Supplemental - Component

SHENZHEN LANSON ELECTRONICS CO LTD

A18TH BLDG

3 INDUSTRIAL ZONE

FUQIAO FUYONG TOWN, BAO'AN DISTRICT

SHENZHEN, GUANGDONG 518133 China

E221465

Cat. No.	Size mm(in)	Amps (A)	Volts (V)	Interrupting Rating (A)
Supplemental fuses				
5D	5.2 x 20 (0.20 x 0.79)	4-7	125Vac	100
		4-7	250Vac	100
		8-10	125Vac	100
		8-10	250Vac	100
5F	5.2 x 20 (0.20 x 0.79)	0.125-0.315	125Vac	35
		0.125-0.315	250Vac	35
		0.4-0.8	125Vac	35
		0.4-0.8	250Vac	35
		1-6.3	125Vac	35
		1-6.3	250Vac	35
5K	5.2 x 20 (0.20 x 0.79)	0.2-0.8	125Vac	35
		0.2-0.8	250Vac	35
		1-6.3	125Vac	63
		1-6.3	250Vac	63
		8-15	125Vac	50
		8-15	250Vac	50
5M	5.2 x 20 (0.20 x 0.79)	0.5-0.8	250Vac	1500
		1.0-3.15	250Vac	1500

12T	0.65 (0.13 x 0.06 x 0.03 x 0.03)	1-4	63Vdc	50
		4.5-5	32Vdc	100
Supplemental micro fuses: pigtail leads				
3J	3.6 x 10 (0.14 x 0.39)	0.1-0.4	125Vac	35
		0.1-0.4	250Vac	35
		0.5-5	125Vac	35
		0.5-5	250Vac	35
3K	3.6 x 10 (0.14 x 0.39)	0.2-0.8	125Vac	35
		0.2-0.8	250Vac	35
		1-6.3	125Vac	35
		1-6.3	250Vac	35
3NT	3.6 x 10 (0.14 x 0.39)	0.1-1	125Vac	25
		0.1-1	250Vac	25
		1.25-5	250Vac	25
		1.25-5	125Vac	25
Supplemental micro fuses: pigtail leads, filled-tube				
3R	4.3 x 12.5 (0.17 x 0.49)	0.1-10	300Vac	100
		0.1-10	350Vac	100
Supplemental micro fuses: filled-tube				
SNT	8.4 x 4.0 x 7.2 (0.33 x 0.16 x 0.28)	0.1-6.3	250Vac	100
		0.1-6.3	300Vac	100
		0.1-6.3	350Vac	100
Supplemental micro fuses: pigtail leads				
3T	-	3.15-5	125Vac	25
		3.15-5	250Vac	25
SET	8.4 x 4 x 7.7 (0.33 x 0.16 x 0.30)	0.1-15	250Vac	130
		0.1-15	300Vac	50

JDYX8.E221465 - Fuses, Supplemental Certified for Canada - Component

Fuses, Supplemental Certified for Canada - Component

SHENZHEN LANSON ELECTRONICS CO LTD

A18TH BLDG

3 INDUSTRIAL ZONE

FUQIAO FUYONG TOWN, BAO'AN DISTRICT

SHENZHEN, GUANGDONG 518133 China

E221465

Cat. No.	Size mm(in)	Amps (A)	Volts (V)	Interrupting Rating (A)
Supplemental fuses				
5D	5.2 x 20 (0.20 x 0.79)	4-7	125Vac	100
		4-7	250Vac	100
		8-10	125Vac	100
		8-10	250Vac	100
5F	5.2 x 20 (0.20 x 0.79)	0.125-0.315	125Vac	35
		0.125-0.315	250Vac	35
		0.4-0.8	125Vac	35
		0.4-0.8	250Vac	35
		1-6.3	125Vac	35
		1-6.3	250Vac	35
5K	5.2 x 20 (0.20 x 0.79)	0.2-0.8	125Vac	35
		0.2-0.8	250Vac	35
		1-6.3	125Vac	63
		1-6.3	250Vac	63
		8-15	125Vac	50
		8-15	250Vac	50
5M	5.2 x 20 (0.20 x 0.79)	0.5-0.8	250Vac	1500

12T	0.65 (0.13 x 0.06 x 0.03 x 0.03)	1-4	63Vdc	50
		4.5-5	32Vdc	100
Supplemental micro fuses: pigtail leads				
3J	3.6 x 10 (0.14 x 0.39)	0.1-0.4	125Vac	35
		0.1-0.4	250Vac	35
		0.5-5	125Vac	35
		0.5-5	250Vac	35
3K	3.6 x 10 (0.14 x 0.39)	0.2-0.8	125Vac	35
		0.2-0.8	250Vac	35
		1-6.3	125Vac	35
		1-6.3	250Vac	35
3NT	3.6 x 10 (0.14 x 0.39)	0.1-1	125Vac	25
		0.1-1	250Vac	25
		1.25-5	250Vac	25
		1.25-5	125Vac	25
Supplemental micro fuses: pigtail leads, filled-tube				
3R	4.3 x 12.5 (0.17 x 0.49)	0.1-10	300Vac	100
		0.1-10	350Vac	100
Supplemental micro fuses: filled-tube				
SNT	8.4 x 4.0 x 7.2 (0.33 x 0.16 x 0.28)	0.1-6.3	250Vac	100
		0.1-6.3	300Vac	100
		0.1-6.3	350Vac	100
Supplemental micro fuses: pigtail leads				
3T	-	3.15-5	125Vac	25
		3.15-5	250Vac	25
SET	8.4 x 4 x 7.7 (0.33 x 0.16 x 0.30)	0.1-15	250Vac	130
		0.1-15	300Vac	50