

Low Power Offset Voltage Quad Comparators

LM339 Low Power Offset Voltage Quad Comparators

General Description

The LM339 series consists of four independent precision voltage comparators with an offset voltage specification as low as 2mV. The input common mode voltage range of these comparators includes ground, even when operated from a single power supply voltage. Operation from split power supplies is also possible and the low power supply current drain is independent of the magnitude of the power supply voltage.

The LM339 series is designed to directly interface with TTL and CMOS.

The LM339 series can be widely used in such applications as battery charger, cordless telephone, switching power supply, DC-DC module and PC motherboard.

The LM339 series are available in 2 Packages: DIP-14 and SOP-14.

Features

- Wide Supply Voltage Range
 - Single Supply: 2.0V to 36V
 - Dual Supplies: $\pm 1.0V$ to $\pm 18V$
- Very Low Supply Current Drain: 0.8mA
 - Independent of Supply Voltage
- Low Input Bias Current: 25nA (Typical)
- Low Input Offset Current: $\pm 5nA$ (Typical)
- Low Input Offset Voltage: $\pm 2mV$ (Typical)
- Input Common Mode Voltage Range Includes Ground
- Differential Input Voltage Range Equals to the Power Supply Voltage
- Low Output Saturation Voltage: 250mV at 4mA
- Open Collector Output

Applications

- Battery Charger
- Cordless Telephone
- Switching Power Supply
- DC-DC Module
- PC Motherboard

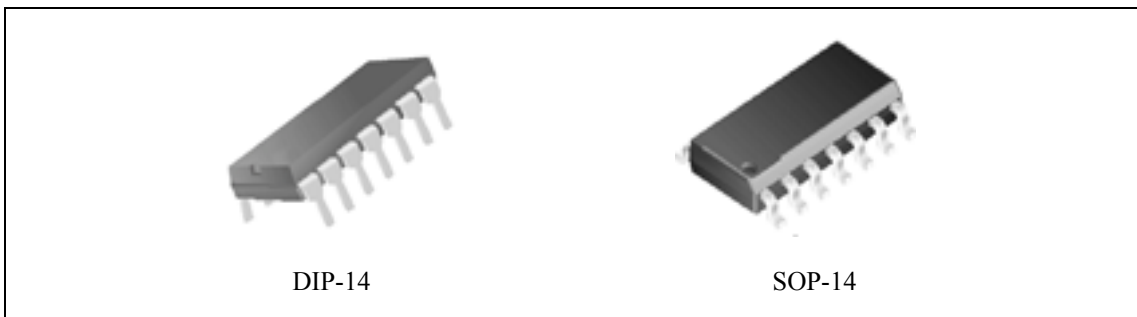


Figure 1. Package Types of LM339

ELECTRICAL CHARACTERISTICS

Pin Configuration

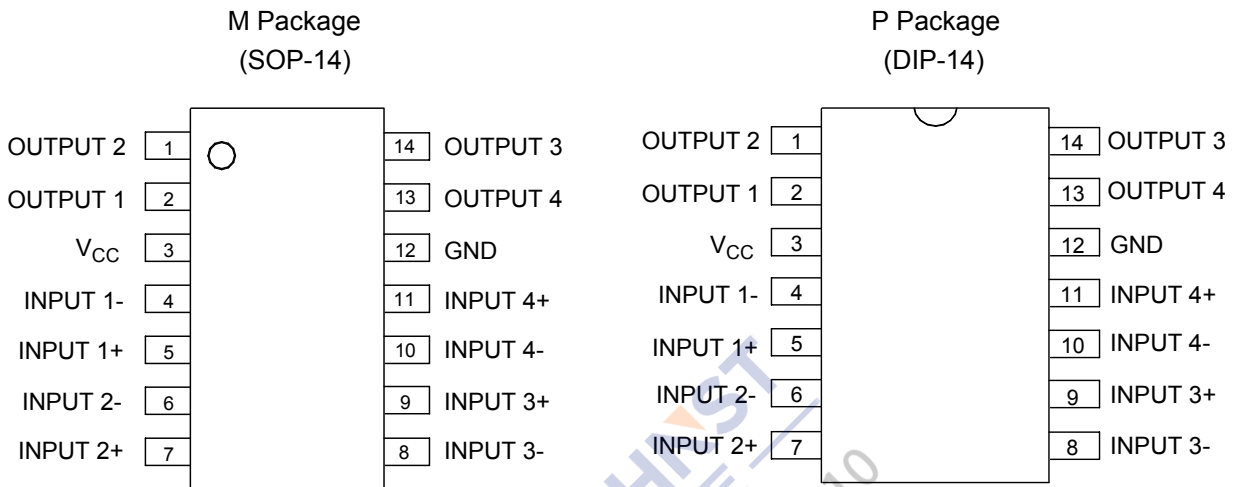


Figure 2. Pin Configuration of LM339 (Top View)

Functional Block Diagram

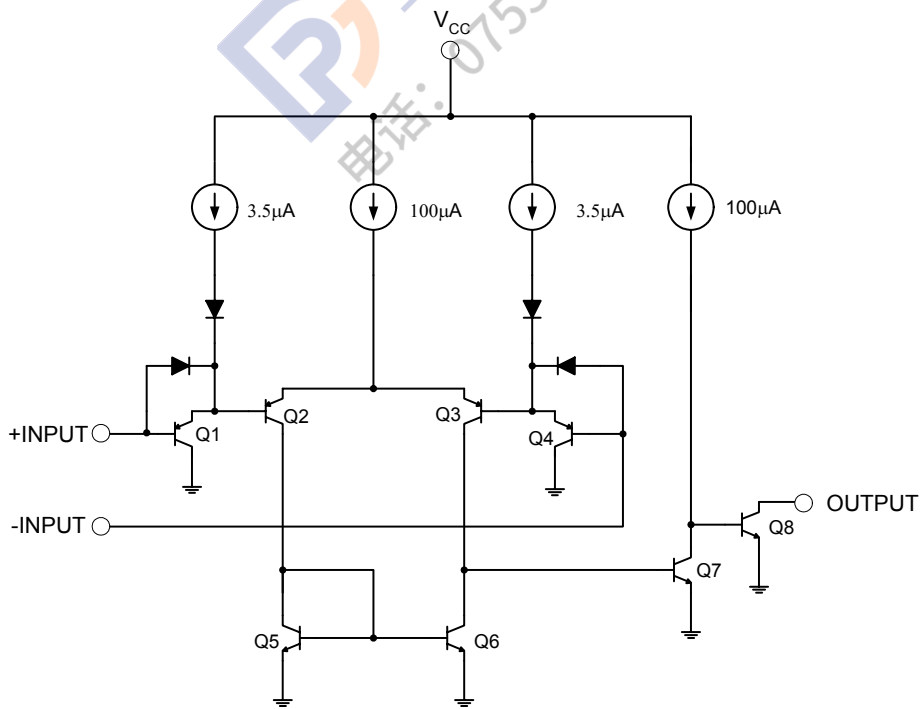


Figure 3. Functional Block Diagram of LM339 (Each Comparator)

ELECTRICAL CHARACTERISTICS

Absolute Maximum Ratings (Note 1)

Parameter	Symbol	Value		Unit
Supply Voltage	V_{CC}	36		V
Differential Input Voltage	V_{ID}	36		V
Input Voltage	V_{IN}	-0.3 to 36		V
Input Current ($V_{IN} < -0.3V$) (Note 2)	I_{IN}	50		mA
Power Dissipation ($T_A=25^\circ C$)	P_D	DIP-14	1050	mW
		SOP-14	890	
Output Short Circuit to Ground		Continuous		
Maximum Junction Temperature	T_J	150		$^\circ C$
Storage Temperature Range	T_{STG}	-65 to 150		$^\circ C$
Lead Temperature (Soldering, 10 seconds)	T_{LEAD}	260		$^\circ C$

Note 1: Stresses greater than those listed under "Absolute Maximum Ratings" may cause permanent damage to the device. These are stress ratings only, and functional operation of the device at these or any other conditions beyond those indicated under "Recommended Operating Conditions" is not implied. Exposure to "Absolute Maximum Ratings" for extended periods may affect device reliability.

Note 2: This input current will only exist when the voltage at any of the input leads is driven negative. It is due to the collector-base junction of the input PNP transistors becoming forward biased and thereby acting as input diode clamps. In addition to this diode action, there is also lateral NPN parasitic transistor action on the IC chip. This transistor action can cause the output voltages of the comparators to go to the $V+$ voltage level (or to ground for a large overdrive) for the time duration that an input is driven negative. This is not destructive and normal output states will re-establish when the input voltage, which was negative, again returns to a value greater than $-0.3 V_{DC}$ (at $25^\circ C$).

Recommended Operating Conditions

Parameter	Symbol	Min	Max	Unit
Supply Voltage	V_{CC}	2	36	V
Operating Temperature Range	T_A	-40	85	$^\circ C$

ELECTRICAL CHARACTERISTICS

Electrical Characteristics

$V_{CC}=5V$, $GND=0V$, $T_A=25^{\circ}C$, unless otherwise specified.

Parameter	Conditions	Min	Typ	Max	Unit
Input Offset Voltage	(Note 3)		2.0	5.0	mV
Input Bias Current	I_{IN^+} or I_{IN^-} with output in linear range, $V_{CM}=0V$ (Note 4)		25	250	nA
Input Offset Current	$I_{IN^+}-I_{IN^-}$, $V_{CM}=0V$		5.0	50	nA
Input Common Mode Voltage Range	$V_{CC}=15V$ (Note 5)	0		$V_{CC}-1.5$	V
Supply Current	$R_L=\infty$, $V_{CC}=5V$		0.8	2.0	mA
	$R_L=\infty$, $V_{CC}=36V$		1.0	2.5	
Voltage Gain	$R_L \geq 15k\Omega$, $V_{CC}=15V$, $V_O=1V$ to $11V$	50	200		V/mV
Large Signal Response Time	V_{IN} =TTL logic swing, $V_{REF}=1.4V$, $V_{RL}=5V$, $R_L=5.1k\Omega$		300		ns
Response Time	$V_{RL}=5V$, $R_L=5.1k\Omega$ (Note 6)		1.3		μs
Output Sink Current	$V_{IN^-}=1V$, $V_{IN^+}=0$, $V_O \leq 1.5V$	6.0	16		mA
Saturation Voltage	$V_{IN^-}=1V$, $V_{IN^+}=0$, $I_{SINK} \leq 4mA$		250	400	mV
Output Leakage Current	$V_{IN^-}=0$, $V_{IN^+}=1V$, $V_O=5V$		0.1		nA
Thermal Resistance (Junction to Case)	DIP-14		40.60		$^{\circ}C/W$
	SOP-14		60.24		

Note 3: At output switch point, $V_O=1.4V$, $R_S=0$ with V_{CC} from 5V to 30V, and over the full common-mode range (0V to $V_{CC}-1.5V$), at $25^{\circ}C$.

Note 4: The direction of the input current is out of the PNP input stage. This current is essentially constant, independent of the state of the output, so no loading charge exists on the reference of input lines.

Note 5: The input common-mode voltage of either input signal voltage should not be allowed to go negative by more than 0.3V. The upper end of the common-mode voltage range is $V_{CC}-1.5V$, but either or both inputs can go to +18V without damage, independent of the magnitude of V_{CC} .

Note 6: The response time specified is a 100mV input step with 5mV overdrive. For large overdrive signals 300ns can be obtained.

Typical Performance Characteristics

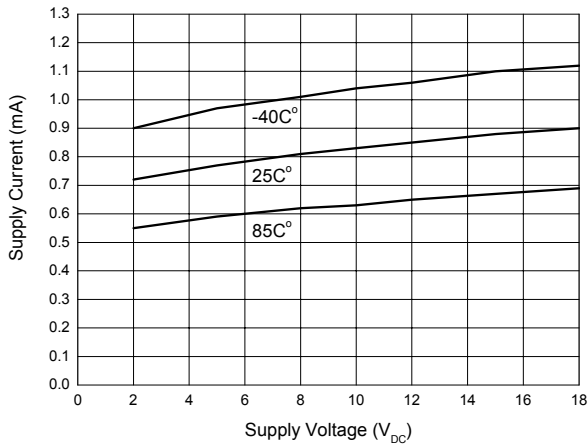


Figure 4. Supply Voltage vs. Supply Current

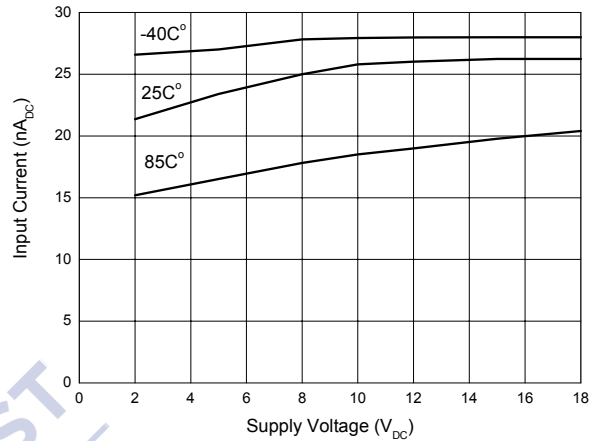


Figure 5. Supply Voltage vs. Input Current

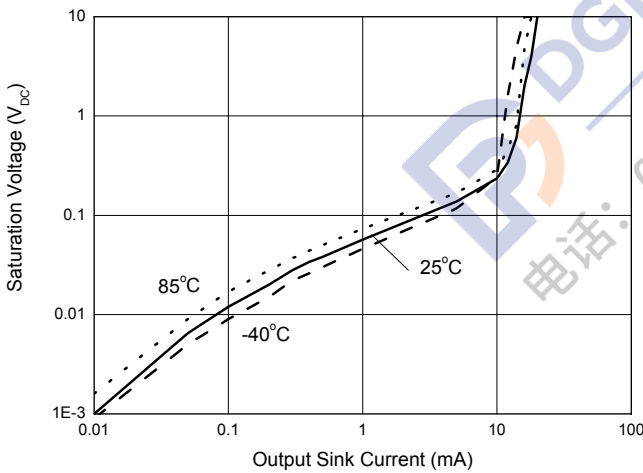


Figure 6. Output Sink Current vs. Saturation Voltage

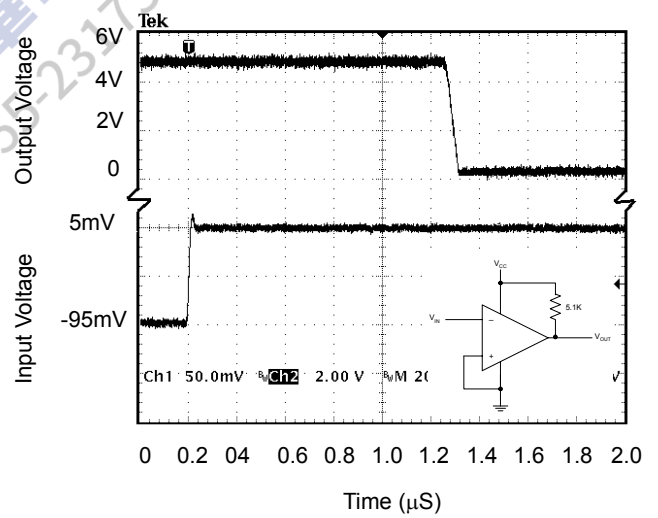


Figure 7. Response Time for 5mV Input Overdrive - Negative Transition

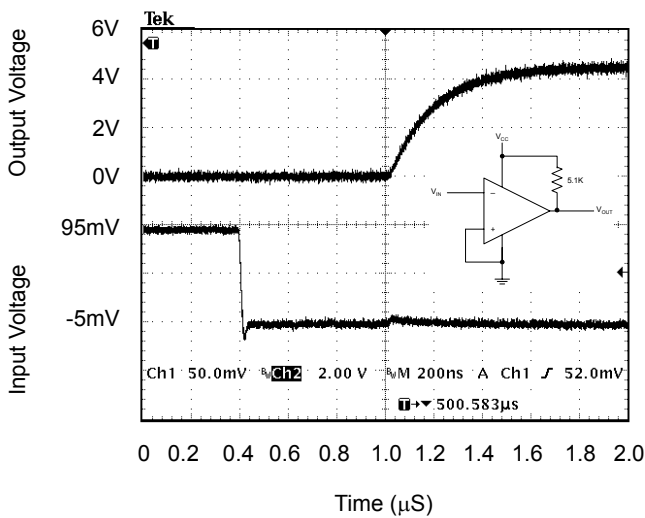


Figure 8. Response Time for 5mV Input Overdrive - Positive Transition

Typical Application

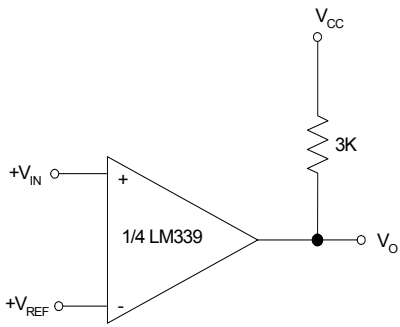


Figure 9. Basic Comparator

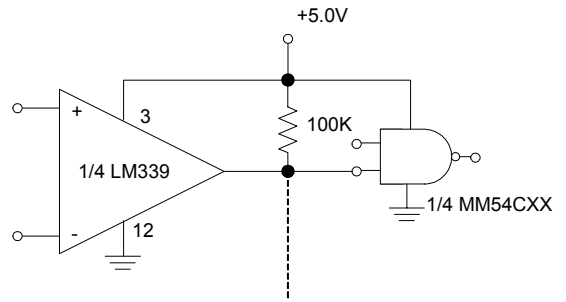


Figure 10. Driving CMOS/TTL

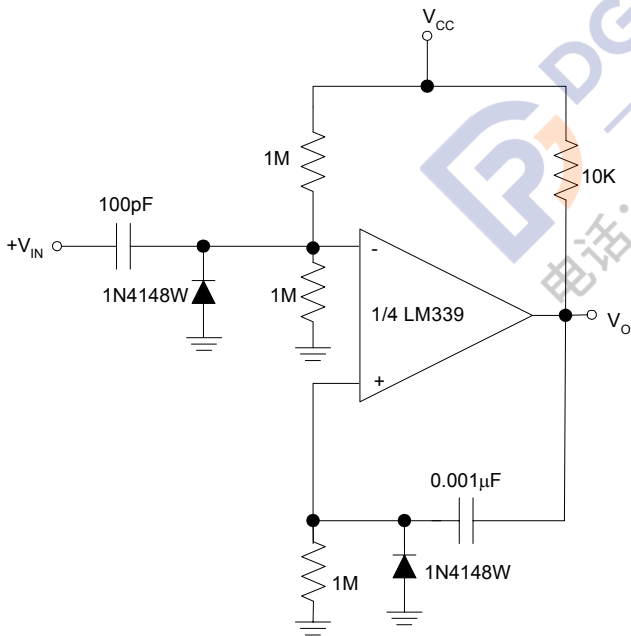


Figure 11. One Shot Multivibrator

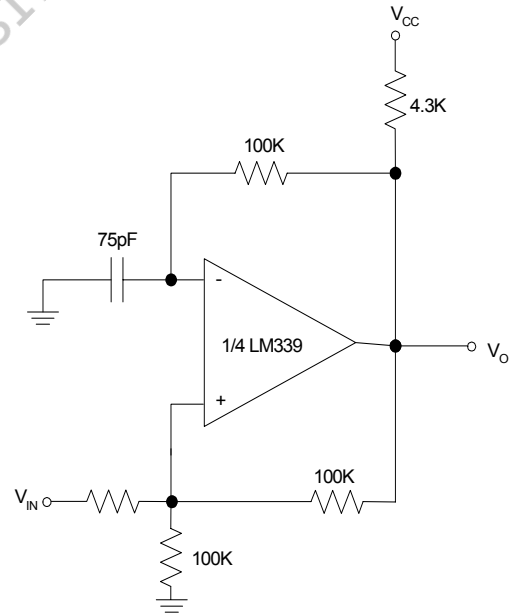
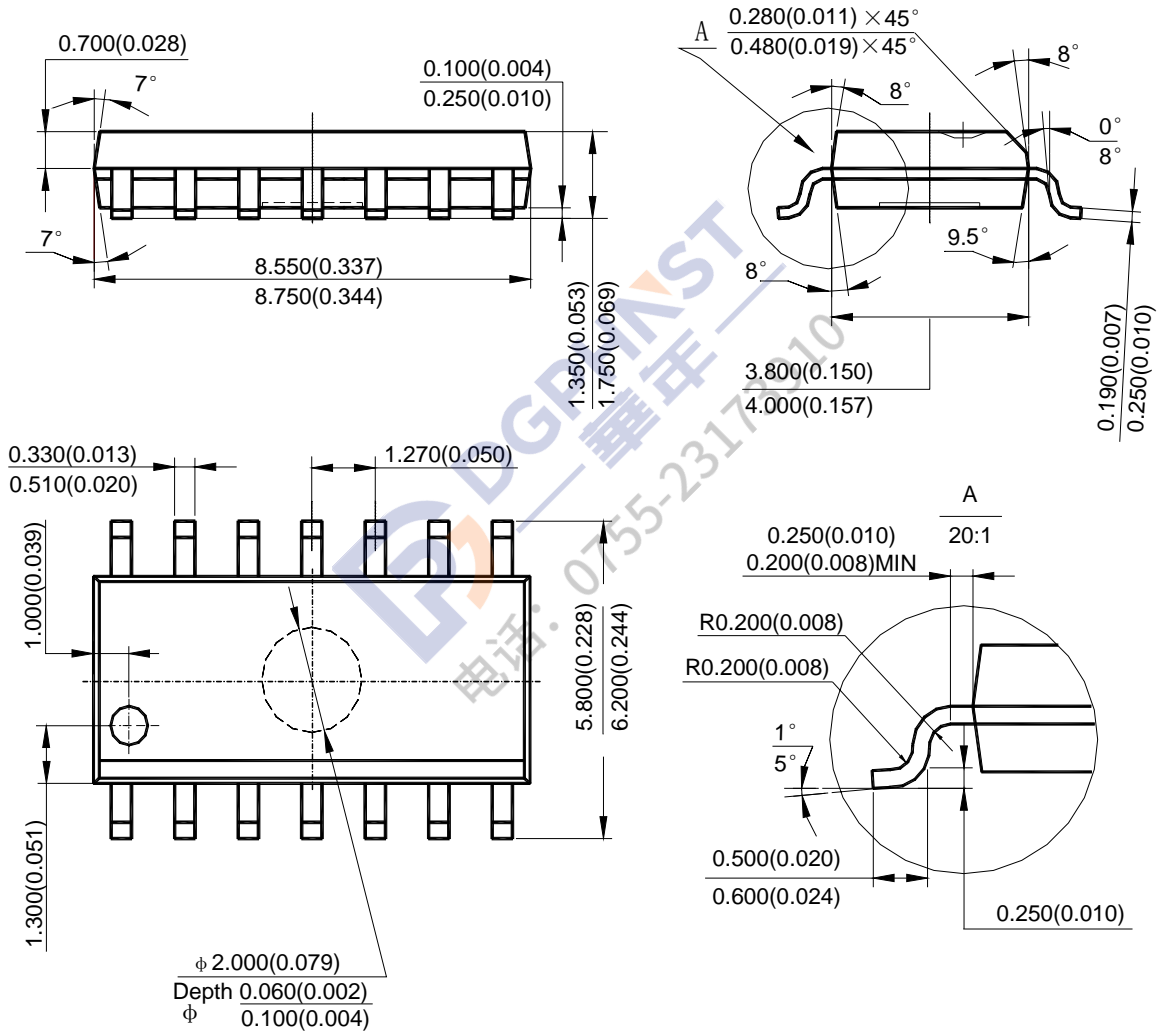


Figure 12. Squarewave Osillator

SOP-14 Package Outline Dimensions

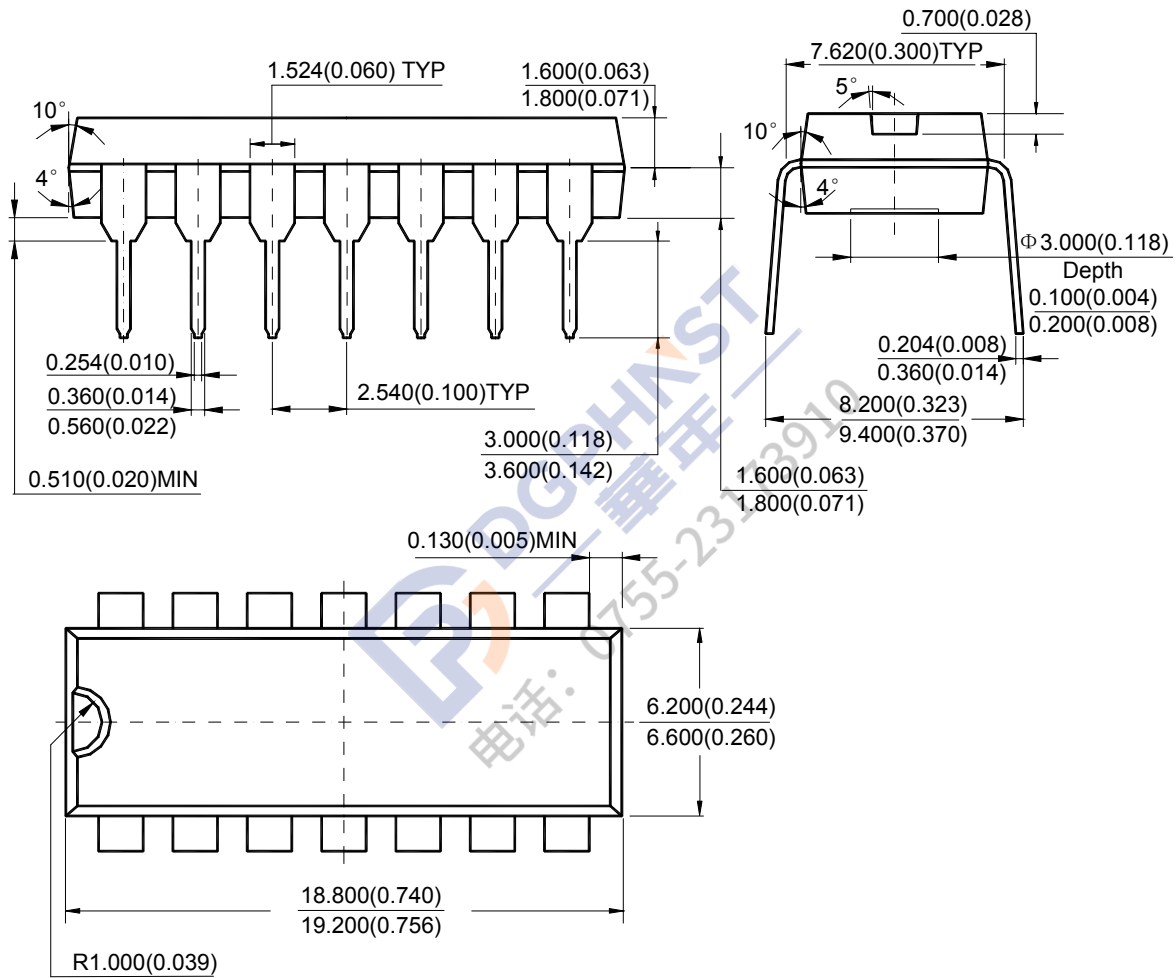
Unit: mm(inch)



Note: Eject hole, oriented hole and mold mark is optional.

DIP-14 Package Outline Dimensions

Unit: mm(inch)



Note: Eject hole, oriented hole and mold mark is optional.

DISCLAIMER

IMPORTANT NOTICE, PLEASE READ CAREFULLY

The information in this data sheet is intended to describe the operation and characteristics of our products. JSCJ has the right to make any modification, enhancement, improvement, correction or other changes to any content in this data sheet, including but not limited to specification parameters, circuit design and application information, without prior notice.

Any person who purchases or uses JSCJ products for design shall: 1. Select products suitable for circuit application and design; 2. Design, verify and test the rationality of circuit design; 3. Procedures to ensure that the design complies with relevant laws and regulations and the requirements of such laws and regulations. JSCJ makes no warranty or representation as to the accuracy or completeness of the information contained in this data sheet and assumes no responsibility for the application or use of any of the products described in this data sheet.

Without the written consent of JSCJ, this product shall not be used in occasions requiring high quality or high reliability, including but not limited to the following occasions: medical equipment, automotive electronics, military facilities and aerospace. JSCJ shall not be responsible for casualties or property losses caused by abnormal use or application of this product.

Official Website: www.jscj-elec.com

Copyright © JIANGSU CHANGJING ELECTRONICS TECHNOLOGY CO., LTD.