



KUNSHAN GOLDEN-WAVE ELECTRONIC CO.,LTD.

昆山金浪电子有限公司

# 规格承认书

## Specification for Approval

客户 Customer	
产品名称 Product Name	合金板式电流检测贴片电阻-RA 系列 Metal Alloy Current Sensing Chip Resistors-Type RA
规格 Part Name	RA1206, RA2512 (公差Tolerance: $\pm 1\%$ , $\pm 2\%$ , $\pm 5\%$ )

地址：江苏省昆山市高新技术开发区迎宾中路 1277 号

电话：0512-57938999

传真：0512-57938988



### 1. 特性/应用 (Features/Applications) :

1.1 适用于本公司所生产的无铅、无卤之合金板式电流检测贴片电阻。

This specification applies to metal alloy current sensing chip resistors which meet requirements of Pb free and halogen free.

1.2 高功率，功率可达 3W。

High power rating up to 3 watts.

1.3 超低阻值，优异的电阻温度系数。

Ultra-low resistance values. Excellent temperature coefficient characteristics.

1.4 可应用于汽车电子、电流传感器、手机、电脑、电源供应器、电池充电器等领域。

Applied to Automotive electronics, Current sensor, Mobile phones, Computers, Power supplies, Battery chargers and other fields.

1.5 符合 AEC-Q200 条款。

The relevant provisions of the AEC-Q200.

1.6 通过：RoHS 认证，ISO9001 认证，IATF16949 认证。

Passed: RoHS certification, ISO9001 certification, IATF16949 certification.

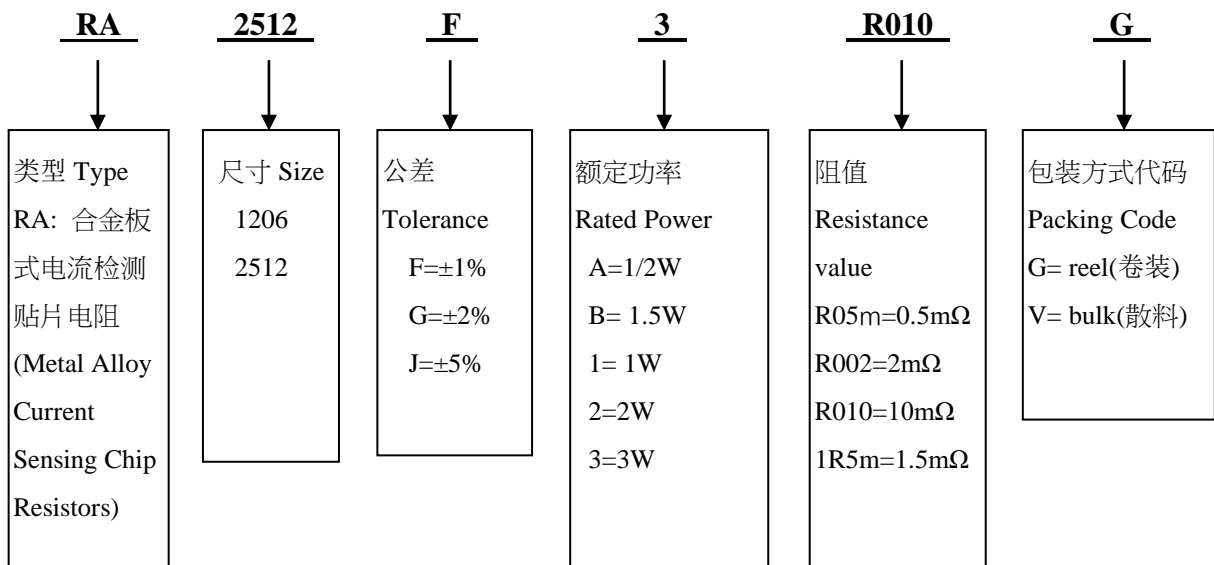
### 2. 产品型号含义 (Product model meaning) :

2512 3W 1% 10mΩ

2512 3W 1% 1mΩ 大电极

RA2512F3R010G

RA2512F3R001GD D: 表示大电极或者大焊盘



### 3. 字码标示(Marking on the Resistor's Body):

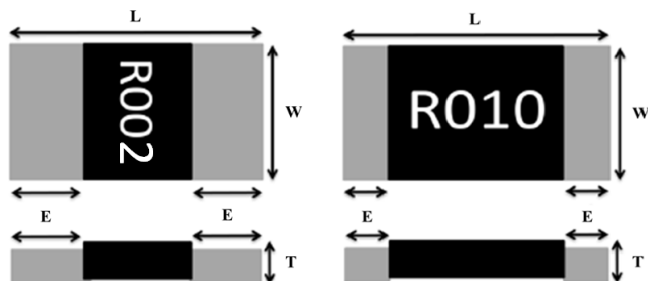
±1%, ±2%, ±5%的产品, 以四字码标示, 第一位字码 R 标示  $10^{-3}$ , 后三位表示阻值的有效数字。

±1%, ±2%, ±5% tolerance product: the marking is 4 digits, The first letter 'R' denotes  $10^{-3}$ , The other three digitals declare resistance.

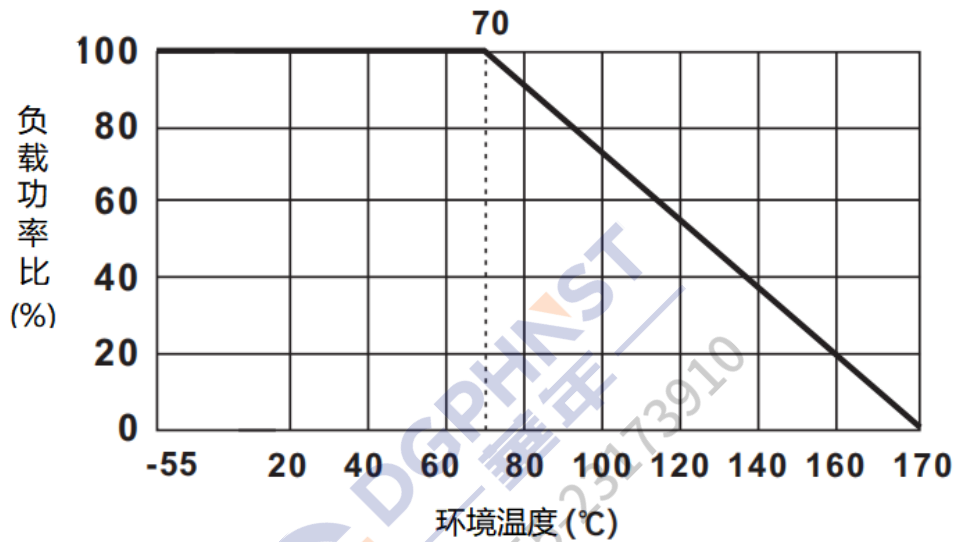


阻值 R-value	代码 Code	阻值 R-value	代码 Code	阻值 R-value	代码 Code	阻值 R-value	代码 Code
0.5mΩ	R05m	25mΩ	R025	80mΩ	R080	200mΩ	R200
1mΩ	R001	30mΩ	R030	90mΩ	R090	220mΩ	R220
1.5mΩ	1R5m	35mΩ	R035	100mΩ	R100	250mΩ	R250
2mΩ	R002	40mΩ	R040	120mΩ	R120	270mΩ	R270
3mΩ	R003	50mΩ	R050	130mΩ	R130	300mΩ	R300
5mΩ	R005	57mΩ	R057	140mΩ	R140	330mΩ	R330
10mΩ	R010	60mΩ	R060	150mΩ	R150	360mΩ	R360
15mΩ	R015	68mΩ	R068	160mΩ	R160	400mΩ	R400
20mΩ	R020	75mΩ	R075	180mΩ	R180	500mΩ	R500

### 4. 尺寸 (dimension) :

尺寸 dimension				
	大电极	小电极	单位毫米 Unit :mm	
型别 Type	长 L(mm)	宽 W(mm)	厚 T(mm)	电极宽 E(mm)
RA1206	3.2±0.20	1.6±0.20	0.60±0.20	0.50±0.20
RA2512	6.4±0.20	3.2±0.20	0.80±0.20	大电极:2.20±0.20
				小电极:0.90±0.20

### 5. 负载降额曲线 ( Derating Curve ) :

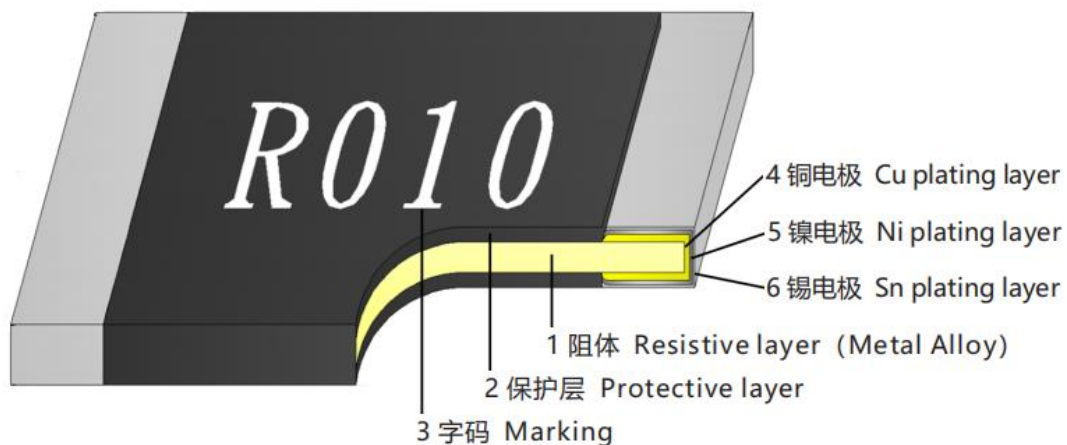


工作温度范围 ( Operating Temperature Range ) :  $-55^{\circ}\text{C} \sim +170^{\circ}\text{C}$ .

当电阻在高于  $70^{\circ}\text{C}$  的周围环境中工作时, 最大负载功率应该按照以上曲线减少。

When the resistor is operating in an ambient environment above  $70^{\circ}\text{C}$ , the maximum load power should be reduced according to the above curve.

### 6. 电阻结构 ( Construction ) :





7. 阻值范围及电气特性 (Resistance Range and Electrical Characteristics) :

型别 Type	额定功率 Rated Power	阻值范围 Resistance Range	温度特性TCR (ppm/°C)	绝缘阻抗 Insulation Resistance
		F(±1%)、G(±2%)、J(±5%)		
RA1206	1W	1mΩ~100mΩ	1mΩ~4mΩ: ±350	>100MΩ
			5mΩ~100mΩ: ±50	
RA2512	3W	0.5mΩ~500mΩ	0.5mΩ~1mΩ 大电极: ±50	>100MΩ
			1mΩ~2mΩ: ±350	
			3mΩ~500mΩ: ±50	

备注 (remark) :

※ 额定电流计算公式 (The rated current is calculated by the following formula) :

$$I = \sqrt{P/R}$$

I : 额定电流 (Rated current) (A)

P : 额定功率 (Rated Power) (W)

R : 电阻阻值 (Resistance) (ohm)

※ 如果计算出的电流超过此型别的最大工作电流, 则此型别的最大工作电流为此电阻的额定电流。

In case the value calculated by the formula exceed the maximum working current as above table, the maximum working current shall be regarded as rated current.



8. 性能信赖性测试 (Performance Reliability Test Methods)

测试项目 Test Item	测试方法 Test Methods	测试条件 Test Conditions	规格 Specification
温度系数 Temperature Coefficient	IEC60115-1 4.8	$TCR = \frac{(R - R_0)}{(t - t_0) R_0} \times 10^6 \text{ (ppm)}$ R <sub>0</sub> 电阻在室温下的阻值(resistance at room temperature) R 电阻在 +125℃ 或 +155℃ 下的阻值 (resistance at +125℃ or +155℃) t <sub>0</sub> 室温(room temperature) t 测试温度 ( test temperature +125℃ or +155℃ )	请参考特性规格表，Please refer to the Spec.
高温储存 High Temperature Exposure	MIL-STD-202 Method 108	125℃下放置 1000H，试验结束 24±4 小时后量测试验前后阻值变化率。 1000 hrs. @T=125℃. Measure the variation of resistance at 24±4 hours after test conclusion. $\Delta R\% = \frac{R_2 - R_1}{R_1} * 100\%$ R1 = 试验前阻值(resistance before test) R2 = 试验后阻值(resistance after test)	< ±1%
低温储存 Low Temperature operation	IEC60115-1 4.23.4	-55℃下放置 45 分钟，后量测试验前后阻值变化率。 45 min. @T=-55℃. Measure the variation of resistance after test conclusion. $\Delta R\% = \frac{R_2 - R_1}{R_1} * 100\%$ R1 = 试验前阻值(resistance before test) R2 = 试验后阻值(resistance after test)	< ±1%
温度循环 Temperature cycling	JESD22 Method JA-104	-55℃/+125℃，循环 1000 次，试验结束 24±4 小时后量测试验前后阻值变化率。 1000Cycles (-55℃ to +125℃) Measurement at 24±4 hours after test conclusion. Measure the variation of resistance at 24±4 hours after test conclusion. $\Delta R\% = \frac{R_2 - R_1}{R_1} * 100\%$ R1 = 试验前阻值(resistance before test) R2 = 试验后阻值(resistance after test)	< ±1%



测试项目 Test Item	测试方法 Test Methods	测试条件 Test Conditions	规格 Specification
短时间过负荷 Short-time overload	IEC60115-1 4.13	加载 5 倍的额定功率，时间 5 秒后测量试验前后的阻值变化率。 Applied 5.0 times of rated power for 5 second. Measure the variation of resistance. $\Delta R\% = \frac{R_2 - R_1}{R_1} * 100\%$ R1 = 试验前阻值(resistance before test) R2 = 试验后阻值(resistance after test)	< ±1%
耐湿特性 Biased Humidity	MIL-STD-202 METHOD 103	加载 10% 额定功率，85℃/85%RH，持续通电 1000H，试验结束 24±4 小时后进行测试 1000 hours 85℃/85%RH. Note: Specified conditions: 10% of operating power. Measurement at 24±4 hours after test conclusion. $\Delta R\% = \frac{R_2 - R_1}{R_1} * 100\%$ R1 = 试验前阻值(resistance before test) R2 = 试验后阻值(resistance after test)	< ±1%
负荷寿命 Operational life	MIL-STD-202 METHOD 108	电阻放入恒温箱中，温度 70±2℃，通电额定电流 1.5 小时，断电 0.5 小时；重复通断电至试验时间 1000 <sup>+48</sup> / <sub>0</sub> 小时。量测试验前后阻值变化率。 Put the specimen in a chamber at 70±2 °C temperature, and applied rated currernt for 1.5H and rested for 0.5H repeatedly till total test time is 1000 <sup>+48</sup> / <sub>0</sub> .. Measure the variation of resistance. $\Delta R\% = \frac{R_2 - R_1}{R_1} * 100\%$ R1 = 试验前阻值(resistance before test) R2 = 试验后阻值(resistance after test)	< ±1%



测试项目 Test Item	测试方法 Test Methods	测试条件 Test Conditions	规格 Specification
焊锡性 Solderability	J-STD-002B test B	沾助焊剂后浸入锡炉，锡炉温度 245±5℃，时间 2~3 秒 Dip the terminal in a flux and then dip into a soldering bath at 245±5℃ for 2~3sec.	最少 95% 面积上锡 (Min 95% coverage)
抗焊锡热 Resistance to soldering heat	IEC60115-1 4.18	沾助焊剂后浸入锡炉，锡炉温度 260±5℃，时间 10±1 秒，测量试验前后的阻值变化率。 Dip the terminal in a flux and then dip into a soldering bath at 260±5℃ for 10±1sec. Measure the variation of resistance. $\Delta R\% = \frac{R_2 - R_1}{R_1} * 100\%$ R1 = 试验前阻值(resistance before test) R2 = 试验后阻值(resistance after test)	< ±1%
机械冲击 Mechanical Shock	MIL-STD-202 METHOD 213	半正弦，100g's，震动6ms，速度12.3 ft/s100Hz，量测试验前后阻值变化率。 100g's, Normal duration is 6ms, half sine shock pulse. Measure the variation of resistance. $\Delta R\% = \frac{R_2 - R_1}{R_1} * 100\%$ R1 = 试验前阻值(resistance before test) R2 = 试验后阻值(resistance after test)	< ±1%
振动 Resistance to vibration	MIL-STD-202 METHOD 204	5g's的力20分钟，12个循环，测试频率从10-2000赫兹，量测试验前后阻值变化率。 5g's for 20min.12cycles, 10-2000Hz. Measure the variation of resistance. $\Delta R\% = \frac{R_2 - R_1}{R_1} * 100\%$ R1 = 试验前阻值(resistance before test) R2 = 试验后阻值(resistance after test)	< ±1%
端子弯曲 Terminal Bending	AEC-Q200-005	弯曲2mm，60秒，量测试验前后阻值变化率。 Min 2mm deflection, 60sec. Measure the variation of resistance. Measure the variation of resistance.	< ±1%





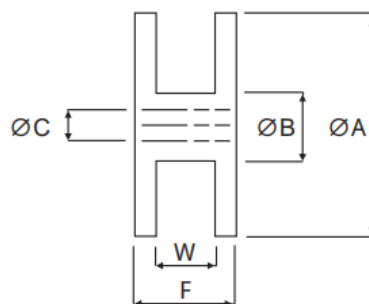
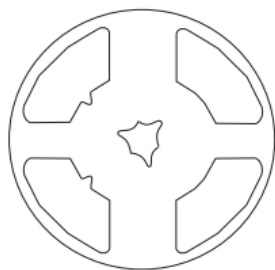
KUNSHAN GOLDEN-WAVE ELECTRONIC CO.,LTD.

昆山金浪电子有限公司

测试项目 Test Item	测试方法 Test Methods	测试条件 Test Conditions	规格 Specification
端子强度 Terminal Strength	AEC-Q200-006	应用17.7N (1.8Kg)，时间60±1秒 Applied a 17.7N (1.8Kg) for 60±1seconds.	< ±1%
冷热冲击 Thermal shock	MIL-STD-202 METHOD 107	温度-55/+125℃，周期数是 300,设备安装。最大传输时间是 20 秒。停留 15 分钟，量测试验前后阻值变化率。 use -55/+125°C, Number of cycles is 300. Devices mounted. Maximum transfer time is 20 seconds.Dwell time is 15 minutes. Air –Air. Measure the variation of resistance. $\Delta R\% = \frac{R_2 - R_1}{R_1} * 100\%$ R1 = 试验前阻值(resistance before test) R2 = 试验后阻值(resistance after test)	< ±1%
阻燃性 Flammability	UL-94	V-0 or V-1可接受的，电器特性测试不要求 V-0 or V-1are acceptable.Electrical test not required.	/
ESD 试验 ESD test	AEC-Q200-002	加载规定静电电压2KV，2次/间隔1秒 Other:2KV, 2times/1s	< ±1%

## 9. 包装规格 (Tapping Specification)

### 9.1 卷盘尺寸 (reel dimension)



单位毫米 Unit :mm



KUNSHAN GOLDEN-WAVE ELECTRONIC CO.,LTD.

昆山金浪电子有限公司

尺寸 Dimensions	ØA	ØB	ØC	F	W
RA1206	178±2.00	60.00±1.00	13.50±0.50	11.40±0.10	9.00±0.30
RA2512	178±2.00	60.00±1.00	13.50±0.50	15.40±1.00	13.00±0.3

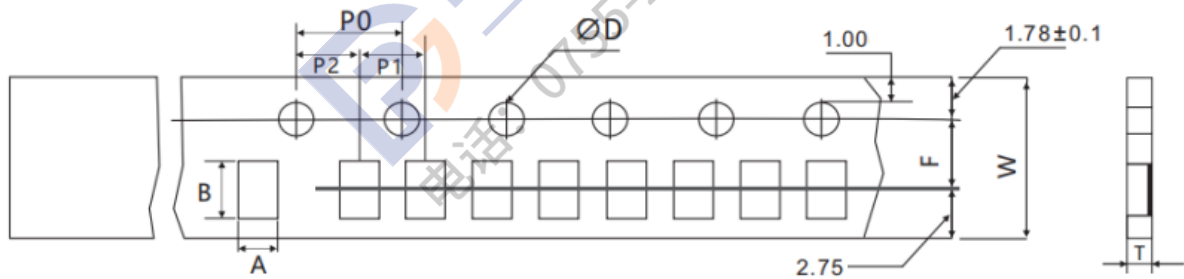
※ 备注 (Remark) : (1) 2512 每卷 4,000 pcs

2512 Quantity per Reel 4,000 pcs/Reel

(2) 1206 每卷 5,000pcs

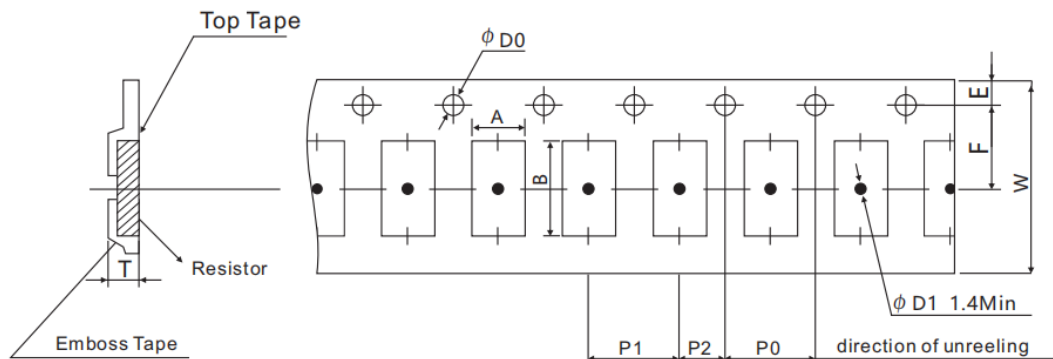
1206 Quantity per Reel 5,000 pcs/Reel

## 9.2 包装尺寸 (packing dimension)



单位毫米 Unit :mm

Packing	Type	A	B	ØD	F	P0	P1	P <sub>0</sub>	W	T
Paper Tape	RA1206	2.0±0.15	3.6±0.20	1.50± $\begin{smallmatrix} 0.1 \\ 0.0 \end{smallmatrix}$	3.50±0.05	4.00±0.10	4.00±0.10	2.00±0.05	8.00±0.10	0.84±0.10



单位毫米

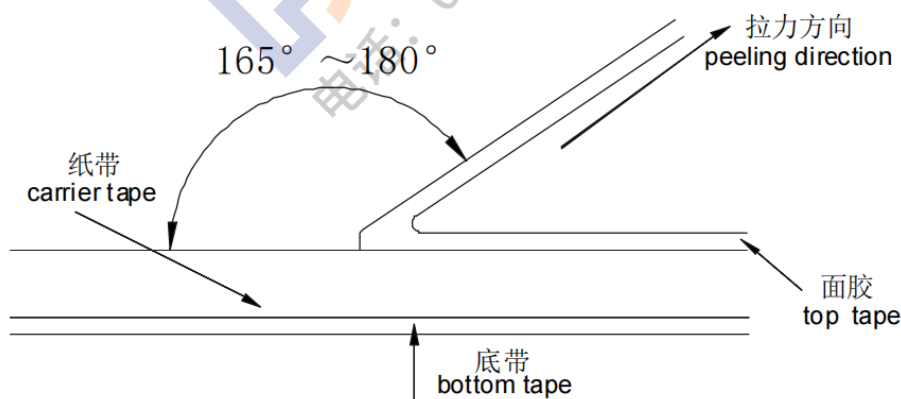
Unit :mm

Packing	Type	A	B	W	F	E	P <sub>0</sub>	P <sub>1</sub>	P <sub>2</sub>	ØD <sub>0</sub>	T
Emboss	RA2512	3.60±0.20	6.90±0.20	12.0±0.20	5.50±0.05	1.75±0.1	4.00±0.1	4.00±0.10	2.0±0.05	1.50± $\begin{smallmatrix} 0.1 \\ 0.0 \end{smallmatrix}$	1.00±0.15

### 9.3 上胶带剥离力测试 (Peel force of top cover tape)

上胶带以 300mm/分钟的速度，沿 165 ~ 180 度角的方向进行剥离，如下图所示。纸带的剥离范围为 0.1N~0.7N(10g~70g)，载带的剥离力范围为 0.3N~1N(30g~100g)。

The top cover tape is pulled at a speed of 300 mm/min with the angle between the tape during peel and the direction of unreeling maintained at 165 to 180 degree as following picture. The peel force of paper carrier tape shall be 0.1N to 0.7N (10 to 70 g), the peel force of plastic carrier tape shall be 0.3N to 1N (30 to 100 g).



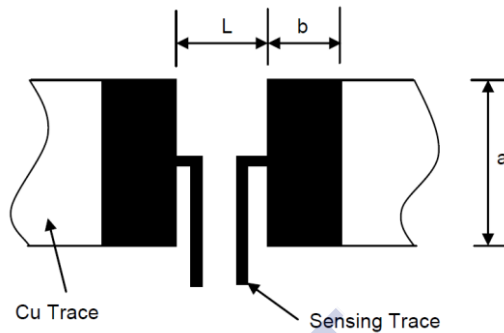
### 9.4 标签 (Label)

标签涵盖以下信息 The label covers the following information:

- 9.4.1 阻值 Resistance
- 9.4.2 功率 power
- 9.4.3 数量 quantity
- 9.4.4 公差 tolerance
- 9.4.5 系列 series
- 9.4.6 流水号 Serial number

## 10. 焊接 (soldering)

### 10.1 建议焊盘尺寸 (Recommended Solder Pad Dimension)



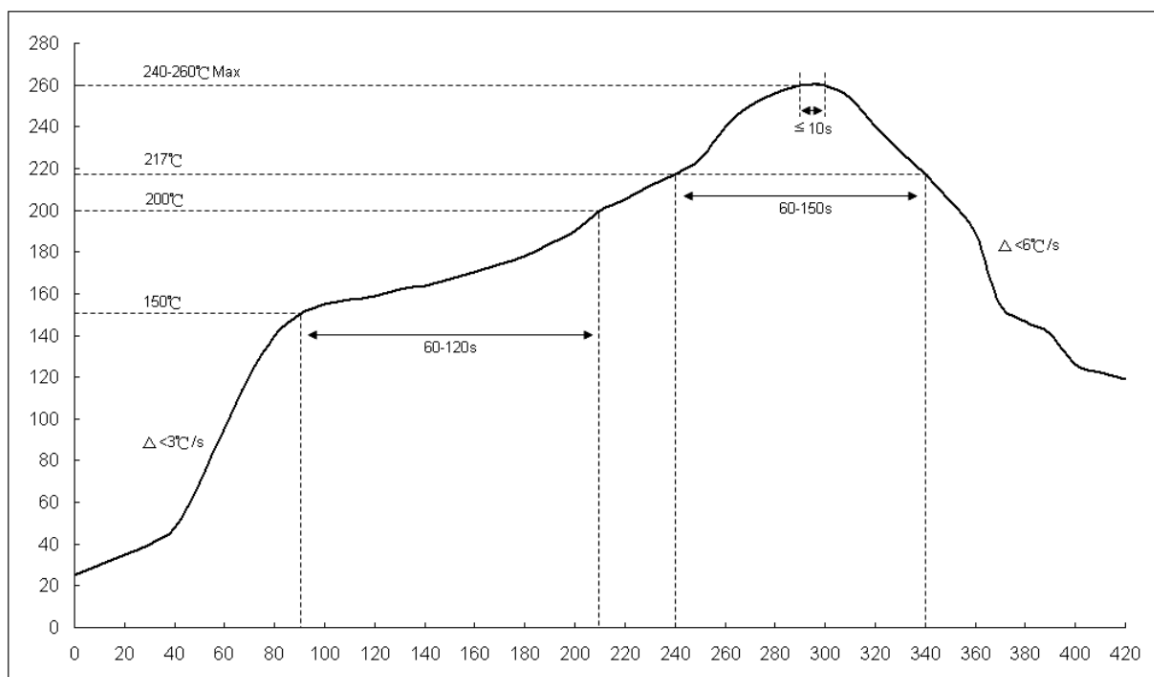
單位:mm

尺寸 Dimensions	阻值范围 Resistance Range	a	b	L
RA1206	1mΩ~100mΩ	1.80	1.70	1.60
RA2512	0.5mΩ~5mΩ	4.00	3.10	1.80
	1mΩ~500mΩ	4.00	2.10	4.10

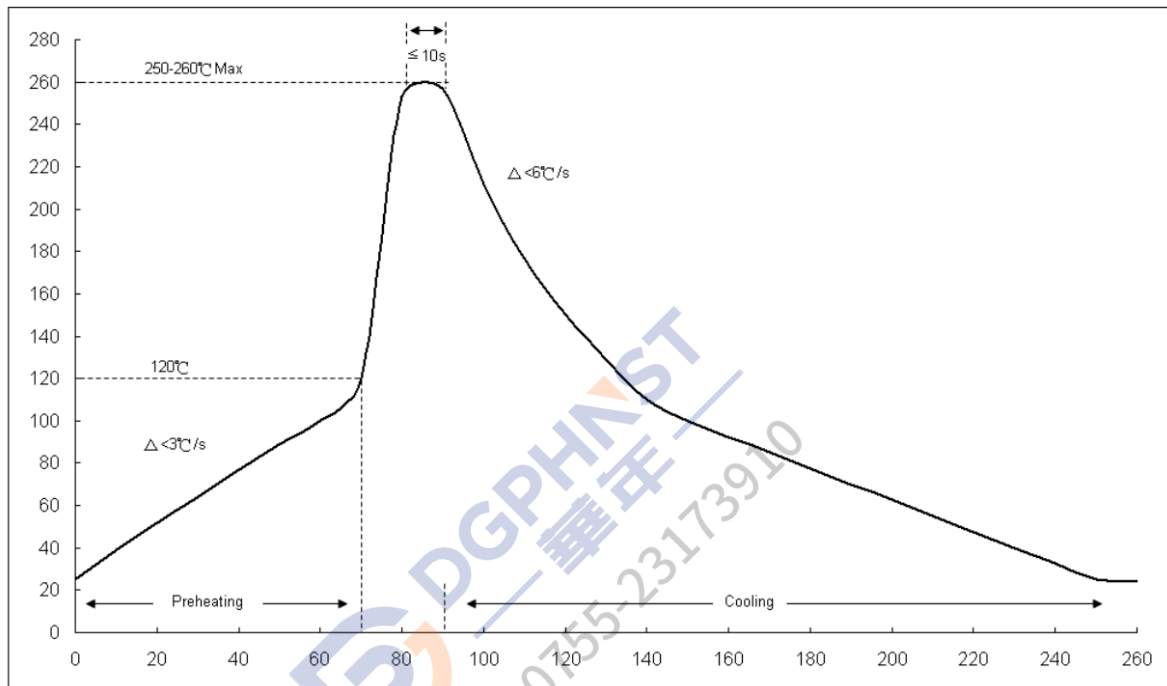
### 10.2 建议焊膏类型 ( Recommended type of solder paste ) :

合金 alloy 96.5Sn/3.0Ag/0.5Cu

### 10.3 建议回流焊曲线 ( Recommend reflow soldering profile )



### 10.4 建议波峰焊曲线 ( Recommend wave soldering profile )



## 10.5 手工焊温度 (hand soldering temperature)

烙铁温度  $350 \pm 10^{\circ}\text{C}$ ，3 秒之内，避免烙铁接触电阻本体。

The iron temperature is  $350 \pm 10^{\circ}\text{C}$ , hand soldering time less than 3S. Avoid solder iron tip direct touch the components body.

## 11. 存储放置 (Storage placement)

### 11.1 储存及搬运注意事项 (Storage and handling precautions) :

11.1.1 储存时应注意温度和湿度 (温度  $5 \sim 35^{\circ}\text{C}$ , 相对湿度  $45 \sim 75\% \text{RH}$ )，湿度尽可能保持在低范围内，有效期:2 年。

When storing, you should pay attention to the temperature and humidity (temperature  $5 \sim 35^{\circ}\text{C}$ , relative humidity  $45 \sim 75\% \text{RH}$ ), humidity as much as possible Can be kept in the low range, valid for 2 years.

11.1.2 不能阳光直射。

Do not have direct sunlight.

11.1.3 不能存储在潮湿，灰尘及导致焊接性能变差的有害气体环境中，包括氯气、硫化氢、氨气、二氧化硫、二氧化氮等。

Can not be stored in humid, dusty and harmful gas environments that cause poor welding performance, including  $\text{Cl}_2$ 、 $\text{H}_2\text{S}$ 、 $\text{NH}_3$ 、 $\text{SO}_2$ 、and  $\text{NO}_2$  etc.

11.1.4 产品搬运、存储时请保证箱体的正确朝向，严禁摔落、挤压箱体，否则可能造



成产品电极或本体受损。

When handling and storing products, please ensure the correct orientation of the box, and it is strictly forbidden to drop and squeeze the box, otherwise it may cause production the electrode or body is damaged.

## 11.2 操作使用注意事项（Precautions for operation use）：

11.2.1 必须保护产品的边缘和保护层免受机械应力的影响。

The edges and protective layers of the product must be protected from mechanical Stress.

11.2.2 当印刷电路板 (PCB) 被分割或固定在支撑体上时，要小心处理，因为印刷电路板 (PCB) 安装的弯曲会给电阻造成机械应力。

Be careful when a printed circuit board (PCB) is split or fixed to a support body, as bending of the printed circuit board (PCB) mount can cause mechanical stress on the resistor.

11.2.3 电阻的使用范围应在具体规定的额定范围内，特别是当电压超过规定值时，会对机器造成损坏。温度上升取决于产生的热量，并增加电阻值或断裂。

The range of use of the resistor should be within the specified rated range, especially when the voltage exceeds the specified value, which will cause damage to the machine.

The temperature rise depends on the heat generated and increases the resistance value or breakage

11.2.4 当电阻被负载到额定电压时，必须确定电阻器的温度，并根据负载降额曲线来降低负载功率。

When the resistor is loaded to the rated voltage, the temperature of the resistor must be determined and the load power must be reduced according to the load derating curve.

11.2.5 观察每个规范中规定的极限元件电压和最大过载电压。

Observe the limit element voltages and maximum overload voltages specified in each specification.

11.2.6 如果有可能将大电压（脉冲电压、冲击电压）充电到电阻，则必须在使用前设置操作条件。

If it is possible to charge a large voltage (pulse voltage, impulse voltage) to the resistor, the operating conditions must be set before use.