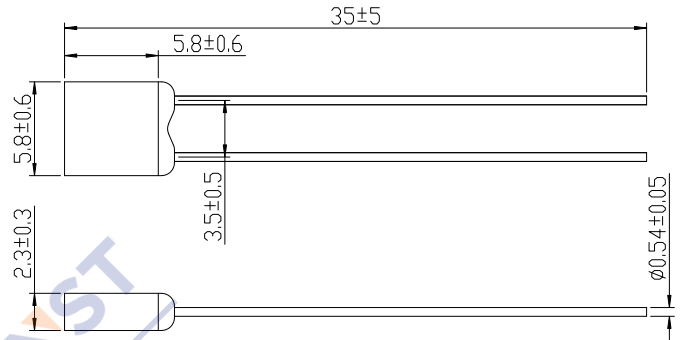
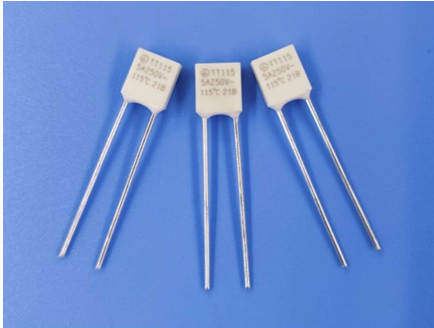




TJ/TP RoHS Compliant

温度保险丝(塑胶方壳)

Thermal-link (Plastic square shell)



序号 NO.	目录 编号 Catalog No.	额定 动作 温度 Tf (°C)	熔断 温度 Fusing Temp. (°C)	保持 温度 Th (°C)	极限 温度 Tm (°C)	额定 电流 Ir (A)	额定 电压 Ur (Vac)	认证 Approvals			
								●表示已获认证 ○表示认证中	●	○	●
1	TJ76	76	73±2	48	180	3	250	●	○	●	●
2	TJ86	86	82±2	58	180	3	250	●	○	●	●
3	TJ102	102	98±2	77	180	3	250	●	●	●	●
4	TJ115	115	111±2	87	180	3	250	●	●	●	●
5	TJ125	125	120±2	98	180	3	250	●	●	●	●
6	TJ130	130	126±2	100	180	3	250	●	●	●	●
7	TJ136	136	132±2	102	180	3	250	●	●	●	●
8	TJ145	145	141±2	118	180	3	250	●	●	●	●
9	TJ150	150	146±2	122	180	3	250	●	●	●	●
1	TP76	76	73±2	48	180	2	250	●	○	●	●
2	TP86	86	82±2	58	180	2	250	●	○	●	●
3	TP102	102	98±2	77	180	2	250	●	●	●	●
4	TP115	115	111±2	87	180	2	250	●	●	●	●
5	TP125	125	120±2	98	180	2	250	●	●	●	●
6	TP130	130	126±2	100	180	2	250	●	●	●	●
7	TP136	136	132±2	102	180	2	250	●	●	●	●
8	TP145	145	141±2	118	180	2	250	●	●	●	●
9	TP150	150	146±2	122	180	2	250	●	●	●	●

术语解释 Terms explanation:

额定动作温度 Rated Function Temperature(Tf):

在规定条件下测得的使温度保险丝导电状态发生变化的温度, 温度保险丝必须在上述 Tf+0/-10°C 范围内动作。

The temperature of the Thermal-link which cause it to change its state of conductive when measured under specified conditions, the temperature tolerance is Tf+0/-10°C.

实测熔断温度 Fusing Temperature:

温度保险丝以每分钟 0.5 ~ 1.0°C 速率上升, 检测电流小于 10 mA 条件下所测得的烤炉中发生动作时的温度。

It is the actual operating temperature when the Thermal-link is made to operate at the conditions that the temperature is raised at the rate of 0.5°C ~ 1°C per minute and the detection current less than 10 mA.

保持温度 Holding Temperature(Th):

温度保险丝在通过额定电流时, 能够连续维持 168 小时而承受的最高不致其导电状态发生变化的温度。

The maximum temperature at which the Thermal-link can be maintained while conducting rated current for 168 hours without functioning.

极限温度 Maximum Temperature Limit(Tm):

温度保险丝所能处在的最高温度,在此温度下, 温度保险丝的导电状态已发生变化, 但其机械性能和电气特性在 10 分钟内不致改变。

The maximum temperature at which mechanical and electrical properties of the Thermal-link can be maintained for 10 minutes without resuming conductivity after functioning.

额定电流 Rated Current (Ir):

温度保险丝在所使用的电路中能承受的最大电流。

The maximum current that is allowed to apply to the circuit in which the Thermal-link is used.

额定电压 Rated Voltage(Ur):

温度保险丝在所使用的电路中能承受的最大电压。

The maximum voltage that is allowed to apply to the circuit in which the Thermal-link is used.