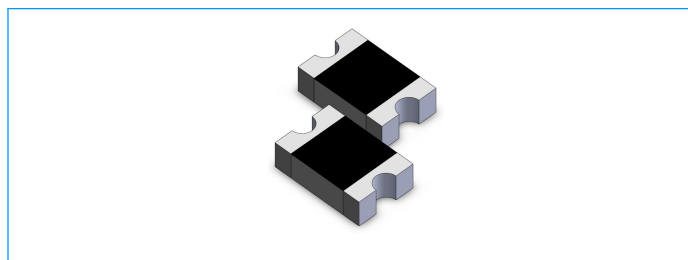


Surface Mount Resettable PTCs

SCF0805RB Series

Features

- ◆ RoHS Compliant & Halogen Free
- ◆ Faster tripping, 0805 Dimension, Surface mountable, Solid state
- ◆ Operation Current: 0.05A ~ 1.10A
- ◆ Maximum Voltage: 6V ~ 24Vdc
- ◆ Operating Temperature: -40°C ~ + 85°C



Electrical Parameters

Part Number	Hold Current	Trip Current	Rated Voltage	Max Current	Typical Power	Maximum Time To Trip		Resistance	
	I_{hold} (A)	I_{trip} (A)	V_{max} (Vdc)	I_{max} (A)	$P_{dtyp.}$ (W)	Current (A)	Time (Sec.)	R_{min} (Ω)	R_{1max} (Ω)
SCF005-0805RB	0.05	0.15	15.0	100	0.50	0.50	1.50	1.500	25.00
SCF010-0805RB	0.10	0.30	15.0	100	0.50	0.50	1.50	1.000	8.000
SCF010-24-0805RB	0.10	0.30	24.0	100	0.50	0.50	1.50	1.000	8.000
SCF020-0805RB	0.20	0.50	9.0	100	0.50	8.00	0.02	0.500	3.500
SCF025-0805RB	0.25	0.50	6.0	100	0.50	8.00	0.02	0.450	3.200
SCF030-0805RB	0.30	0.70	6.0	100	0.50	8.00	0.10	0.250	2.000
SCF035-0805RB	0.35	0.75	6.0	100	0.50	8.00	0.10	0.250	1.200
SCF035-12-0805RB	0.35	0.75	12.0	100	0.50	8.00	0.10	0.250	1.300
SCF050-0805RB	0.50	1.00	6.0	100	0.60	8.00	0.10	0.150	0.850
SCF050-9-0805RB	0.50	1.00	9.0	40	0.50	8.00	0.10	0.150	0.900
SCF075-0805RB	0.75	1.50	6.0	100	0.60	8.00	0.20	0.090	0.385
SCF100-0805RB	1.00	1.95	6.0	100	0.60	8.00	0.30	0.060	0.230
SCF110-0805RB	1.10	2.20	6.0	100	0.60	8.00	0.30	0.060	0.210

I_{hold} = Hold Current. Maximum current device will not trip in 25°C still air.

I_{trip} = Trip Current. Minimum current at which the device will always trip in 25°C still air.

V_{max} = Maximum operating voltage device can withstand without damage at rated current (I_{max}).

I_{max} = Maximum fault current device can withstand without damage at rated voltage (V_{max}).

$P_{dtyp.}$ = Maximum power dissipation when device is in the tripped state in 25°C still air environment at rated voltage.

R_{min} = Minimum device resistance prior to tripping at 25°C.

R_{1max} = Maximum device resistance is measured one hour post reflow.

Test Procedures and Requirements

Test Item	Test Conditions	Accept / Reject Criteria
Resistance	In still air @ 25°C	$R_{min} \leq R \leq R_{1max}$
Time to Trip	Specified current, V_{max} , 25°C	$T \leq$ Maximum Time to Trip
Holding Current	30min, at I_H	No trip
Trip Cycle Life	V_{max} , I_{max} , 100cycles	No arcing or burning
Trip Endurance	V_{max} , 1 hour	No arcing or burning

Surface Mount Resettable PTCs

SCF0805RB Series

Physical Characteristics

Terminal Materials	Tin-Plated Nickel-copper
Soldering Zone	Meets EIA specification RS 186-9E and ANSI/J-STD-002 Category 3.

Environmental Specifications

Test Item	Test Conditions	Resistance Change
Passive Aging	85°C, 1000 hours	±10%
Humidity Aging	85°C/85%RH, 100 hours	±5%
Thermal Shock	MIL-STD-202, Method 107G +85°C/-40°C, 20 times	±33% typical resistance change
Solvent Resistance	MIL-STD-202, Method 215	No change
Vibration	ML-STD-883C, Test Condition A	No change

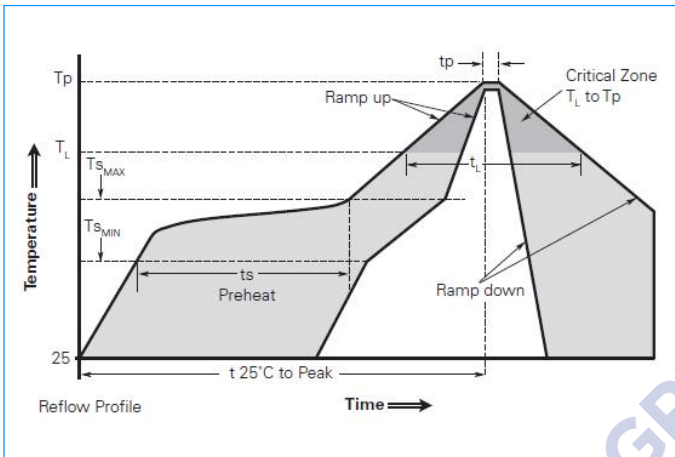
Thermal Derating Chart - I_H (A)

Model	Maximum ambient operating temperature (°C)								
	-40	-20	0	25	40	50	60	70	85
SCF005-0805RB	0.070	0.063	0.058	0.050	0.043	0.035	0.030	0.025	0.018
SCF010-0805RB	0.140	0.125	0.115	0.100	0.085	0.070	0.060	0.050	0.035
SCF010-24-0805RB	0.140	0.125	0.115	0.100	0.085	0.070	0.060	0.050	0.035
SCF020-0805RB	0.280	0.250	0.230	0.200	0.170	0.140	0.120	0.100	0.070
SCF025-0805RB	0.350	0.310	0.290	0.250	0.210	0.180	0.150	0.13	0.090
SCF030-0805RB	0.420	0.380	0.350	0.300	0.255	0.210	0.180	0.150	0.110
SCF035-0805RB	0.470	0.440	0.390	0.350	0.300	0.270	0.240	0.200	0.140
SCF035-12-0805RB	0.470	0.440	0.390	0.350	0.300	0.270	0.240	0.200	0.140
SCF050-0805RB	0.680	0.620	0.550	0.500	0.400	0.370	0.330	0.290	0.230
SCF050-0805RB	0.680	0.620	0.550	0.500	0.400	0.370	0.330	0.290	0.230
SCF050-9-0805RB	0.680	0.620	0.550	0.500	0.400	0.370	0.330	0.290	0.230
SCF075-0805RB	1.000	0.900	0.790	0.750	0.630	0.570	0.530	0.410	0.340
SCF100-0805RB	1.350	1.250	1.100	1.000	0.820	0.740	0.650	0.550	0.420
SCF110-0805RB	1.450	1.350	1.200	1.100	0.920	0.840	0.750	0.650	0.520

Surface Mount Resettable PTCs

SCF0805RB Series

Soldering Parameters



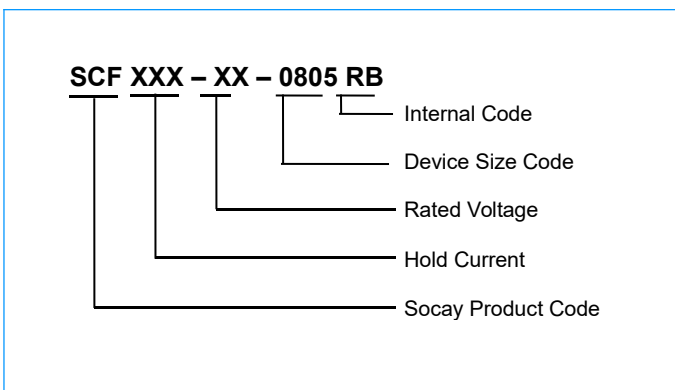
Profile Feature	Pb-Free Assembly
Average Ramp-Up Rate (T_S max to T_P)	3°C/second max.
Preheat : Temperature Min (T _S min) Temperature Max (T _S max) Time (T _S min to T _S max)	150°C 200°C 60-120 seconds
Time maintained above: Temperature(T _L) Time (T _L)	217°C 60-150 seconds
Peak/Classification Temperature(T_P)	260°C
Time within 5 °C of actual peak temperature: Time (T_P)	30 seconds max.
Ramp-down Rate	3°C/ second max.
Time 25°C to Peak Temperature	8 minutes max.

- Recommended reflow methods: I_R, vapor phase oven, hot air oven, N₂ environment for lead-free.
- Devices are not designed to be wave soldered to the bottom side of the board.
- Recommended maximum paste thickness is 0.25mm (0.010inch).
- Devices can be cleaned using standard industry methods and solvents.
- Soldering temperature profile meets RoHS leadfree process.

Note 1: All temperature refer to topside of the package, measured on the package body surface.

Note 2: If reflow temperature exceed the recommended profile, devices may not meet the performance requirements.

Part Numbering



Example

1= SCF005-0805RB	3= SCF035-0805RB
1= SCF010-0805RB	3= SCF035-012-0805RB
1= SCF010-24-0805RB	5= SCF050-0805RB
2= SCF020-0805RB	5= SCF050-9-0805RB
2= SCF025-0805RB	7= SCF075-0805RB
3= SCF030-0805RB	0= SCF100-0805RB
	0= SCF110-0805RB

Recommended Solder Pad Layout Dimensions (Unit: mm)

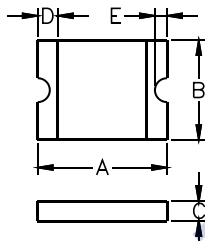
The dimension in the table below provide the recommended pad layout for each SCF0805RB Series device

Device	A	B	C
0805 Series	1.2±0.1	1.0±0.1	1.5±0.1

Surface Mount Resettable PTCs

SCF0805RB Series

Product Dimensions (Unit: mm)



Part Number	A		B		C		D	E
	Min.	Max.	Min.	Max.	Min.	Max.	Min.	Min.
SCF005-0805RB	2.00	2.20	1.20	1.50	0.45	1.00	0.20	0.10
SCF010-0805RB	2.00	2.20	1.20	1.50	0.40	1.00	0.20	0.10
SCF010-24-0805RB	2.00	2.20	1.20	1.50	0.45	1.00	0.20	0.10
SCF020-0805RB	2.00	2.20	1.20	1.50	0.40	1.00	0.20	0.10
SCF025-0805RB	2.00	2.20	1.20	1.50	0.40	1.00	0.20	0.10
SCF030-0805RB	2.00	2.20	1.20	1.50	0.30	1.00	0.20	0.10
SCF035-0805RB	2.00	2.20	1.20	1.50	0.30	1.00	0.20	0.10
SCF035-12-0805RB	2.00	2.20	1.20	1.50	0.40	1.00	0.20	0.10
SCF050-0805RB	2.00	2.20	1.20	1.50	0.40	0.80	0.20	0.10
SCF050-9-0805RB	2.00	2.20	1.20	1.50	0.40	1.30	0.20	0.10
SCF075-0805RB	2.00	2.20	1.20	1.50	0.50	1.20	0.20	0.10
SCF100-0805RB	2.00	2.20	1.20	1.50	0.50	1.20	0.20	0.10
SCF110-0805RB	2.00	2.20	1.20	1.50	0.50	1.20	0.20	0.10

Packaging Quantity

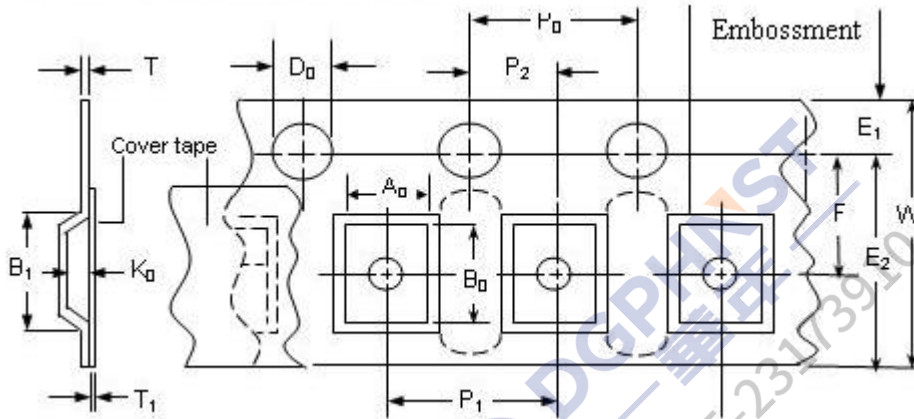
Part Number	Quantity	Part Number	Quantity
SCF005-0805RB	5000 PCS	SCF035-12-0805RB	5000 PCS
SCF010-0805RB/SCF010-24-0805RB	5000 PCS	SCF050-0805RB	5000 PCS
SCF020-0805RB	5000 PCS	SCF050-9-0805RB	4000 PCS
SCF025-0805RB	5000 PCS	SCF075-0805RB	4000 PCS
SCF030-0805RB	5000 PCS	SCF100-0805RB	4000 PCS
SCF035-0805RB	5000 PCS	SCF110-0805RB	4000 PCS

Surface Mount Resettable PTCs

SCF0805RB Series

Tape Specifications (Unit: mm)

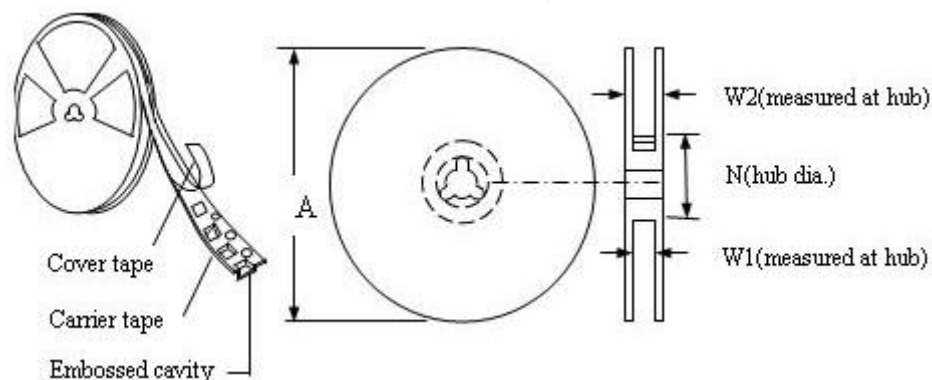
Tape Component Dimensions



Symbol	Dimensions
W	8.00±0.30
P₀	4.00±0.10
P₁	4.00±0.10
P₂	2.00±0.05
A₀	1.65±0.10
B₀	2.35±0.10
D₀	1.55±0.05
F	3.50±0.05
E₁	1.75±0.10
T	0.20±0.10
Leader min.	390
Trailer min.	160

Reel Specifications (Unit: mm)

Reel Dimensions



Symbol	Dimensions
A	178±1.0
N	59±1.0
W₁	8.5+1.0/-0.2
W₂	12.0±1.0

Warning



- ◆ SOCAY owns the rights to a number of patents, trademarks, copyrights, trade secrets, and other intellectual property.
- ◆ SOCAY reserves the right to make changes without further notice to any products herein.
- ◆ SOCAY makes no warranties, representations or warranties as to the fitness of its products for any particular purpose, and disclaims any liability.
- ◆ The parameters provided in the SOCAY datasheet specification may vary from application to application, and the actual performance may vary over time. All operating parameters must be verified by the customer's technical expert before application.
- ◆ Any and all responsibilities and liabilities are disclaimed if any item under this notice of warning is not complied with.