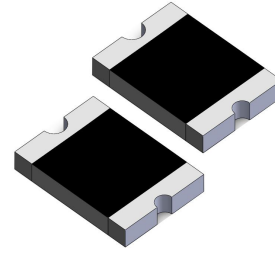


Surface Mount Resettable PTCs

SCF1812RB Series

Features

- ◆ RoHS Compliant & Halogen Free
- ◆ Faster tripping, 1812 Dimension, Surface mountable, Solid state
- ◆ Operation Current: 0.10A ~ 3.50A
- ◆ Maximum Voltage: 6V ~ 60Vdc
- ◆ Operating Temperature: -40°C ~ + 85°C



Electrical Characteristics

Part Number	Hold Current	Trip Current	Rated Voltage	Max Current	Typical Power	Maximum Time To Trip		Resistance	
	I_{hold} (A)	I_{trip} (A)	V_{max} (Vdc)	I_{max} (A)	$P_{typ.}$ (W)	Current (A)	Time (Sec.)	R_{min} (Ω)	R_{1max} (Ω)
SCF010-1812RB	0.10	0.30	60.0	100	0.8	0.50	1.50	0.750	15.000
SCF014-1812RB	0.14	0.34	60.0	100	0.8	1.50	0.15	0.650	6.000
SCF020-1812RB	0.20	0.40	30.0	100	0.8	8.0	0.02	0.350	5.000
SCF030-1812RB	0.30	0.60	30.0	100	0.8	8.0	0.10	0.250	3.000
SCF035-1812RB	0.35	0.70	16.0	100	0.8	8.0	0.10	0.200	2.500
SCF035-30-1812RB	0.35	0.70	30.0	100	0.8	8.0	0.10	0.200	2.500
SCF050-1812RB	0.50	1.00	15.0	100	0.8	8.0	0.15	0.150	1.000
SCF050-24-1812RB	0.50	1.00	24.0	100	0.8	8.0	0.15	0.150	1.000
SCF050-30-1812RB	0.50	1.00	30.0	100	0.8	8.0	0.15	0.150	1.000
SCF050-60-1812RB	0.50	1.00	60.0	40	0.8	8.0	0.15	0.150	1.400
SCF075-1812RB	0.75	1.50	13.2	100	0.8	8.0	0.20	0.090	0.450
SCF075-24-1812RB	0.75	1.50	24.0	100	0.8	8.0	0.20	0.090	0.450
SCF075-33-1812RB	0.75	1.50	33.0	100	0.8	8.0	0.20	0.090	0.450
SCF110-1812RB	1.10	2.20	8.0	100	0.8	8.0	0.30	0.050	0.250
SCF110-16-1812RB	1.10	2.20	16.0	100	0.8	8.0	0.30	0.050	0.250
SCF110-24-1812RB	1.10	2.20	24.0	100	0.8	8.0	0.30	0.050	0.250
SCF110-33-1812RB	1.10	2.20	33.0	100	0.8	8.0	0.30	0.050	0.250
SCF125-1812RB	1.25	2.50	8.0	100	0.8	8.0	0.40	0.050	0.200
SCF125-16-1812RB	1.25	2.50	16.0	100	0.8	8.0	0.40	0.050	0.200
SCF150-1812RB	1.50	3.00	8.0	100	0.8	8.0	0.50	0.040	0.160
SCF150-16-1812RB	1.50	3.00	16.0	100	0.8	8.0	0.50	0.040	0.160
SCF150-24-1812RB	1.50	3.00	24.0	100	0.8	8.0	0.50	0.040	0.160
SCF160-1812RB	1.60	2.80	8.0	100	0.8	8.0	1.00	0.030	0.130
SCF160-16-1812RB	1.60	2.80	16	40	1.0	8.0	1.00	0.030	0.130
SCF200-1812RB	2.00	4.00	8.0	100	0.8	8.0	2.00	0.020	0.100
SCF200-12-1812RB	2.00	4.00	12.0	100	0.8	8.0	2.00	0.020	0.100
SCF200-16-1812RB	2.00	4.00	16.0	100	0.8	8.0	2.00	0.020	0.100
SCF260-1812RB	2.60	5.00	8.0	100	1.0	8.0	2.50	0.015	0.050

Surface Mount Resettable PTCs

SCF1812RB Series

Electrical Characteristics (Continue)

Part Number	Hold Current	Trip Current	Rated Voltage	Max Current	Typical Power	Maximum Time To Trip		Resistance	
	I_{hold} (A)	I_{trip} (A)	V_{max} (Vdc)	I_{max} (A)	$P_{dtyp.}$ (W)	Current (A)	Time (Sec.)	R_{min} (Ω)	R_{1max} (Ω)
SCF260-12-1812RB	2.60	5.00	12.0	100	1.0	8.0	2.50	0.015	0.060
SCF260-16-1812RB	2.60	5.00	16.0	100	1.0	8.0	2.50	0.015	0.060
SCF300-1812RB	3.00	5.00	6.0	100	1.0	8.0	4.00	0.012	0.040
SCF350-1812RB	3.50	6.00	6.0	100	1.0	10.0	5.00	0.008	0.035

I_{hold} = Hold Current. Maximum current device will not trip in 25 °C still air.

I_{trip} = Trip Current. Minimum current at which the device will always trip in 25 °C still air.

V_{max} = Maximum operating voltage device can withstand without damage at rated current (I_{max}).

I_{max} = Maximum fault current device can withstand without damage at rated voltage (V_{max}).

$P_{dtyp.}$ = Maximum power dissipation when device is in the tripped state in 25 °C still air environment at rated voltage.

R_{min} = Minimum device resistance prior to tripping at 25 °C.

R_{1max} = Maximum device resistance is measured one hour post reflow.

Test Procedures and Requirements

Test Item	Test Conditions	Accept/Reject Criteria
Resistance	In still air at 25 °C	$R_{min} \leq R \leq R_{1max}$
Time to Trip	Specified current, V_{max} , 25 °C	$T \leq$ Maximum Time to Trip
Holding Current	30min, at I_H	No trip
Trip Cycle Life	V_{max} , I_{max} , 100cycles	No arcing or burning
Trip Endurance	V_{max} , 1 hour	No arcing or burning

Physical Characteristics

Terminal Materials	Tin-Plated Nickle-copper
Soldering Zone	Meets EIA specification RS 186-9E and ANSI/J-STD-002 Category 3.

Environmental Specifications

Test Item	Test Conditions	Resistance Change
Passive Aging	85 °C, 1000 hours	$\pm 10\%$
Humidity Aging	85 °C/85%RH. 1000 hours	$\pm 5\%$
Thermal Shock	MIL-STD-202, Method 107G +85 °C/-40 °C, 20 times	$\pm 33\%$ typical resistance change
Solvent Resistance	MIL-STD-202, Method 215	No change
Vibration	ML-STD-883C, Test Condition A	No change

Surface Mount Resettable PTCs

SCF1812RB Series

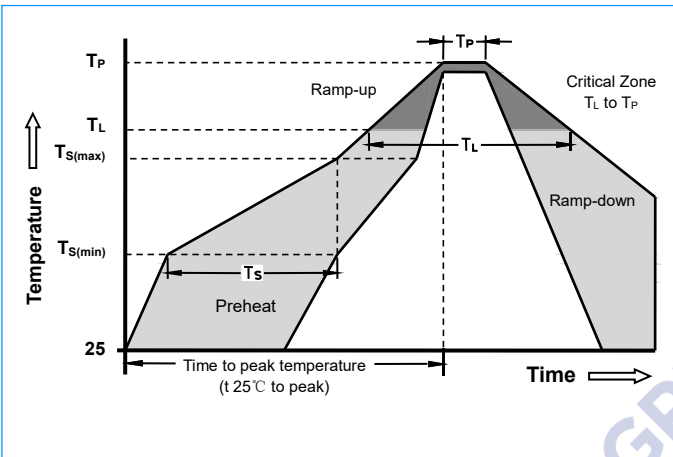
Thermal Derating Chart - I_H (A)

Model	Maximum ambient operating temperature (°C)								
	-40	-20	0	25	40	50	60	70	85
SCF010-1812RB	0.16	0.14	0.12	0.10	0.08	0.07	0.06	0.05	0.03
SCF014-1812RB	0.23	0.19	0.17	0.14	0.12	0.10	0.09	0.08	0.06
SCF020-1812RB	0.29	0.26	0.23	0.20	0.17	0.15	0.14	0.12	0.10
SCF030-1812RB	0.44	0.39	0.35	0.30	0.26	0.23	0.21	0.17	0.15
SCF035-1812RB	0.51	0.46	0.41	0.35	0.30	0.27	0.25	0.21	0.17
SCF035-30-1812RB	0.51	0.46	0.41	0.35	0.30	0.27	0.25	0.21	0.17
SCF050-1812RB	0.59	0.57	0.55	0.50	0.45	0.43	0.35	0.30	0.23
SCF050-24-1812RB	0.59	0.57	0.55	0.50	0.45	0.43	0.35	0.30	0.23
SCF050-30-1812RB	0.59	0.57	0.55	0.50	0.45	0.43	0.35	0.30	0.23
SCF050-60-1812RB	0.59	0.57	0.55	0.50	0.45	0.43	0.35	0.30	0.23
SCF075-1812RB	1.10	0.99	0.87	0.75	0.63	0.57	0.49	0.45	0.35
SCF075-24-1812RB	1.10	0.99	0.87	0.75	0.63	0.57	0.49	0.45	0.35
SCF075-33-1812RB	1.10	0.99	0.87	0.75	0.63	0.57	0.49	0.45	0.35
SCF110-1812RB	1.60	1.45	1.28	1.10	0.92	0.83	0.71	0.66	0.52
SCF110-16-1812RB	1.60	1.45	1.28	1.10	0.92	0.83	0.71	0.66	0.52
SCF110-24-1812RB	1.60	1.45	1.28	1.10	0.92	0.83	0.71	0.66	0.52
SCF110-33-1812RB	1.60	1.45	1.28	1.10	0.92	0.83	0.71	0.66	0.52
SCF125-1812RB	2.00	1.75	1.52	1.25	1.00	0.95	0.90	0.75	0.53
SCF125-16-1812RB	2.00	1.75	1.52	1.25	1.00	0.95	0.90	0.75	0.53
SCF150-1812RB	2.30	2.05	1.77	1.50	1.23	1.09	0.95	0.82	0.61
SCF150-16-1812RB	2.30	2.05	1.77	1.50	1.23	1.09	0.95	0.82	0.61
SCF150-24-1812RB	2.30	2.05	1.77	1.50	1.23	1.09	0.95	0.82	0.61
SCF160-1812RB	2.45	2.15	1.89	1.60	1.34	1.25	1.15	0.96	0.79
SCF160-16-1812RB	2.45	2.15	1.89	1.60	1.34	1.25	1.15	0.96	0.79
SCF200-1812RB	2.89	2.61	2.30	2.00	1.75	1.66	1.45	1.39	1.19
SCF200-12-1812RB	2.89	2.61	2.30	2.00	1.75	1.66	1.45	1.39	1.19
SCF200-16-1812RB	2.89	2.61	2.30	2.00	1.75	1.66	1.45	1.39	1.19
SCF260-1812RB	3.76	3.39	2.99	2.60	2.28	2.16	1.89	1.81	1.55
SCF260-12-1812RB	3.38	3.05	2.69	2.60	2.05	1.94	1.70	1.63	1.39
SCF260-16-1812RB	3.38	3.05	2.69	2.60	2.05	1.94	1.70	1.63	1.39
SCF300-1812RB	4.34	3.92	3.45	3.00	2.63	2.49	2.18	2.09	1.79
SCF350-1812RB	5.06	4.57	4.03	3.50	3.06	2.91	2.54	2.43	2.08

Surface Mount Resettable PTCs

SCF1812RB Series

Soldering Parameters



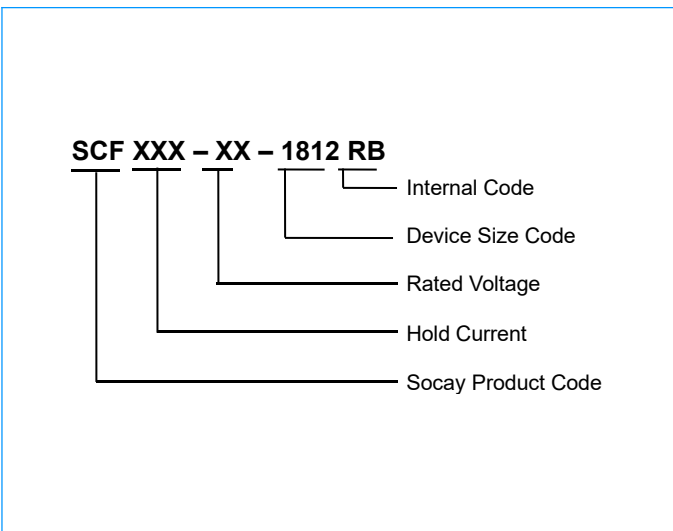
Profile Feature	Pb-Free Assembly
Average Ramp-Up Rate (TS max to TP)	3°C/second max.
Preheat : Temperature Min (TSmin) Temperature Max (TSmax) Time (TSmin to TSmax)	150°C 200°C 60-120 seconds
Time maintained above: Temperature (TL) Time (TL)	217°C 60-150 seconds
Peak/Classification Temperature (TP)	260°C
Time within 5 °C of actual peak temperature: Time (TP)	30 seconds max.
Ramp-down Rate	3°C/ second max.
Time 25°C to Peak Temperature	8 minutes max.

- Recommended reflow methods: IR, vapor phase oven, hot air oven, N2 environment for lead-free.
- Devices are not designed to be wave soldered to the bottom side of the board.
- Recommended maximum paste thickness is 0.25mm (0.010inch).
- Devices can be cleaned using standard industry methods and solvents.
- Soldering temperature profile meets RoHS leadfree process.

Note 1: All temperature refer to topside of the package, measured on the package body surface.

Note 2: If reflow temperature exceed the recommended profile, devices may not meet the performance requirements.

Part Numbering

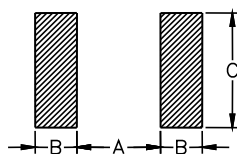


Example

SC010= SCF010-1812RB	SC110= SCF110-33-1812RB
SC014= SCF014-1812RB	SC125= SCF125-1812RB
SC020= SCF020-1812RB	SC125= SCF125-16-1812RB
SC030= SCF030-1812RB	SC150= SCF150-1812RB
SC035= SCF035-1812RB	SC150= SCF150-16-1812RB
SC035= SCF035-30-1812RB	SC150= SCF150-24-1812RB
SC050= SCF050-1812RB	SC160= SCF160-1812RB
SC050= SCF050-24-1812RB	SC160= SCF160-16-1812RB
SC050= SCF050-30-1812RB	SC200= SCF200-1812RB
SC050= SCF050-60-1812RB	SC200= SCF200-12-1812RB
SC075= SCF075-1812RB	SC200= SCF200-16-1812RB
SC075= SCF075-24-1812RB	SC260= SCF260-1812RB
SC075= SCF075-33-1812RB	SC260= SCF260-12-1812RB
SC110= SCF110-1812RB	SC260= SCF260-16-1812RB
SC110= SCF110-16-1812RB	SC300= SCF300-1812RB
SC110= SCF110-24-1812RB	SC350= SCF350-1812RB

Recommended Solder Pad Layout Dimensions (Unit: mm)

The dimension in the table below provide the recommended pad layout for each SCF1812RB Series device.

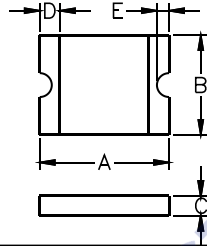


Device	A	B	C
1812 Series	3.2±0.1	1.78±0.1	3.2±0.1

Surface Mount Resettable PTCs

SCF1812RB Series

Product Dimensions (Unit: mm)



Part Number	A		B		C		D	E
	Min.	Max.	Min.	Max.	Min.	Max.	Min.	Min.
SCF010-1812RB	4.37	4.73	3.07	3.41	0.50	1.00	0.30	0.15
SCF014-1812RB	4.37	4.73	3.07	3.41	0.50	1.10	0.30	0.15
SCF020-1812RB	4.37	4.73	3.07	3.41	0.50	1.00	0.30	0.15
SCF030-1812RB	4.37	4.73	3.07	3.41	0.50	1.00	0.30	0.15
SCF035-1812RB	4.37	4.73	3.07	3.41	0.50	1.00	0.30	0.25
SCF035-30-1812RB	4.37	4.73	3.07	3.41	0.50	1.00	0.30	0.25
SCF050-1812RB	4.37	4.73	3.07	3.41	0.40	0.90	0.30	0.15
SCF050-24-1812RB	4.37	4.73	3.07	3.41	0.40	0.90	0.30	0.15
SCF050-30-1812RB	4.37	4.73	3.07	3.41	0.40	1.00	0.30	0.15
SCF050-60-1812RB	4.37	4.73	3.07	3.41	0.50	1.40	0.30	0.15
SCF075-1812RB	4.37	4.73	3.07	3.41	0.40	0.90	0.30	0.15
SCF075-24-1812RB	4.37	4.73	3.07	3.41	0.50	1.20	0.30	0.15
SCF075-33-1812RB	4.37	4.73	3.07	3.41	0.60	1.20	0.30	0.15
SCF110-1812RB	4.37	4.73	3.07	3.41	0.40	0.90	0.30	0.15
SCF110-16-1812RB	4.37	4.73	3.07	3.41	0.40	0.90	0.30	0.15
SCF110-24-1812RB	4.37	4.73	3.07	3.41	0.60	1.30	0.30	0.15
SCF110-33-1812RB	4.37	4.73	3.07	3.41	0.70	1.70	0.30	0.15
SCF125-1812RB	4.37	4.73	3.07	3.41	0.30	0.90	0.30	0.15
SCF125-16-1812RB	4.37	4.73	3.07	3.41	0.50	1.20	0.30	0.15
SCF150-1812RB	4.37	4.73	3.07	3.41	0.30	0.90	0.30	0.15
SCF150-16-1812RB	4.37	4.73	3.07	3.41	0.50	1.20	0.30	0.15
SCF150-24-1812RB	4.37	4.73	3.07	3.41	0.80	1.70	0.30	0.15
SCF160-1812RB	4.37	4.73	3.07	3.41	0.30	0.80	0.30	0.15
SCF160-16-1812RB	4.37	4.73	3.07	3.41	0.50	1.10	0.30	0.25
SCF200-1812RB	4.37	4.73	3.07	3.41	0.40	1.20	0.30	0.15
SCF200-12-1812RB	4.37	4.73	3.07	3.41	0.40	1.20	0.30	0.15
SCF200-16-1812RB	4.37	4.73	3.07	3.41	0.50	1.20	0.30	0.15
SCF260-1812RB	4.37	4.73	3.07	3.41	0.50	1.20	0.30	0.15
SCF260-12-1812RB	4.37	4.73	3.07	3.41	0.60	1.50	0.30	0.15
SCF260-16-1812RB	4.37	4.73	3.07	3.41	0.80	1.80	0.30	0.15
SCF300-1812RB	4.37	4.73	3.07	3.41	0.50	1.50	0.30	0.15
SCF350-1812RB	4.37	4.73	3.07	3.41	0.50	1.50	0.30	0.15

Surface Mount Resettable PTCs

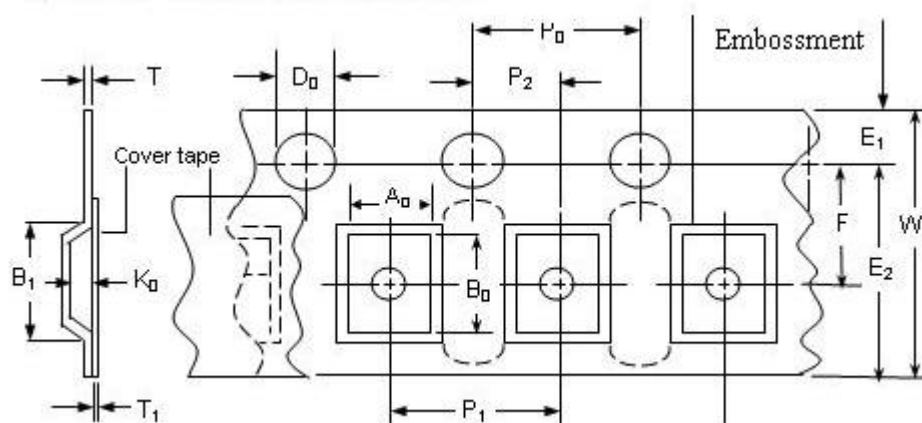
SCF1812RB Series

Packaging Quantity

Part Number	Quantity	Part Number	Quantity
SCF010-1812RB	1500 PCS	SCF110-33-1812RB	1500 PCS
SCF014-1812RB	1500 PCS	SCF125-1812RB	2000 PCS
SCF020-1812RB	1500 PCS	SCF125-16-1812RB	1500 PCS
SCF030-1812RB	1500 PCS	SCF150-1812RB	2000 PCS
SCF035-1812RB	1500 PCS	SCF150-16-1812RB	1500 PCS
SCF035-30-1812RB	1500 PCS	SCF150-24-1812RB	1500 PCS
SCF050-1812RB	2000 PCS	SCF160-1812RB	2000 PCS
SCF050-24-1812RB	2000 PCS	SCF160-16-1812RB	2000 PCS
SCF050-30-1812RB	2000 PCS	SCF200-1812RB	2000 PCS
SCF050-60-1812RB	1500 PCS	SCF200-12-1812RB	1500 PCS
SCF075-1812RB	2000 PCS	SCF200-16-1812RB	1500 PCS
SCF075-24-1812RB	2000 PCS	SCF260-1812RB	1500 PCS
SCF075-33-1812RB	1500 PCS	SCF260-12-1812RB	1500 PCS
SCF110-1812RB	2000 PCS	SCF260-16-1812RB	1500 PCS
SCF110-16-1812RB	2000 PCS	SCF300-1812RB	1500 PCS
SCF110-24-1812RB	1500 PCS	SCF350-1812RB	1500 PCS

Tape Specifications and Reel Specifications (Unit: mm)

Tape Component Dimensions



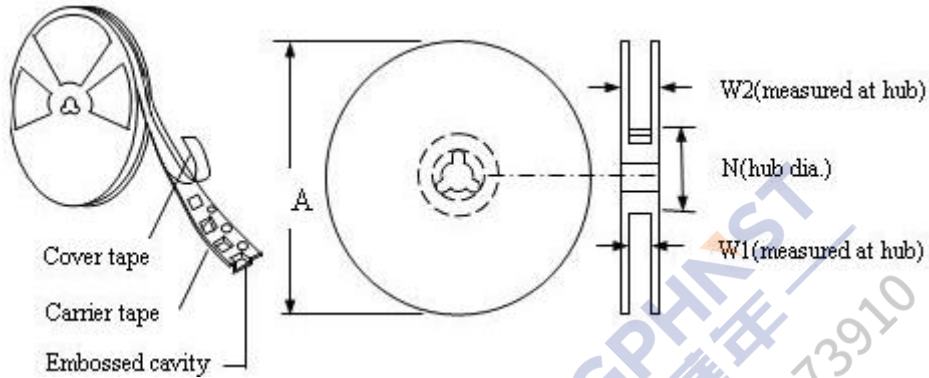
Symbol	Dimensions
W	12.00+0.30/-0
P₀	8.0±0.10
P₁	4.0±0.10
P₂	2.0±0.10
A₀	3.50±0.10
B₀	4.90±0.10
D₀	1.50+0.10/-0
F	5.50±0.05
E₁	1.75±0.10
T	0.30±0.10
Leader min.	390
Trailer min.	160

Surface Mount Resettable PTCs

SCF1812RB Series

Tape Specifications and Reel Specifications (Unit: mm) (Continue)

Reel Dimensions



Symbol	Dimensions
A	178±1.0
N	59±1.0
W1	8.5+1.0/-0.2
W2	12.0±1.0

Warning



- ◆ Operation beyond the specified maximum ratings or improper use may result in damage and possible electrical arcing and/or flame.
- ◆ PPTC device are intended for occasional over-current protection. Application for repeated over-current condition and/or prolonged trip are not anticipated.
- ◆ Avoid contact of PPTC device with chemical solvent. Prolonged contact will damage the device performance.